

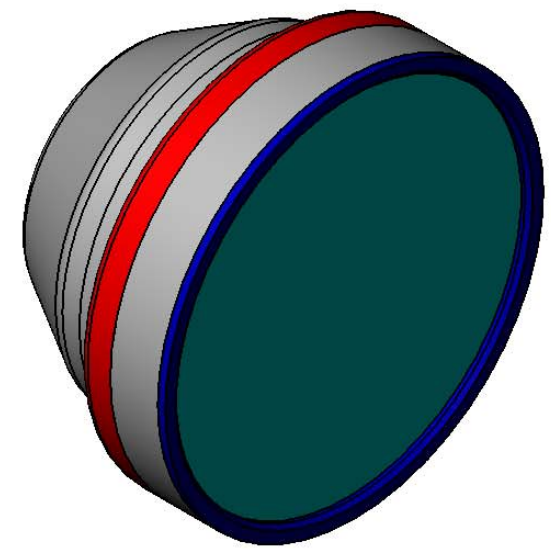
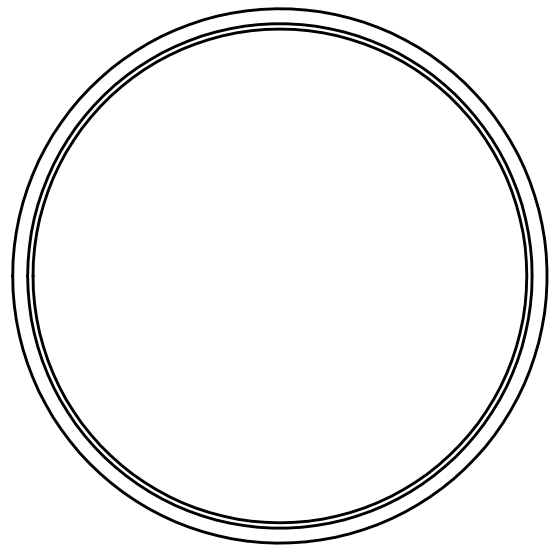
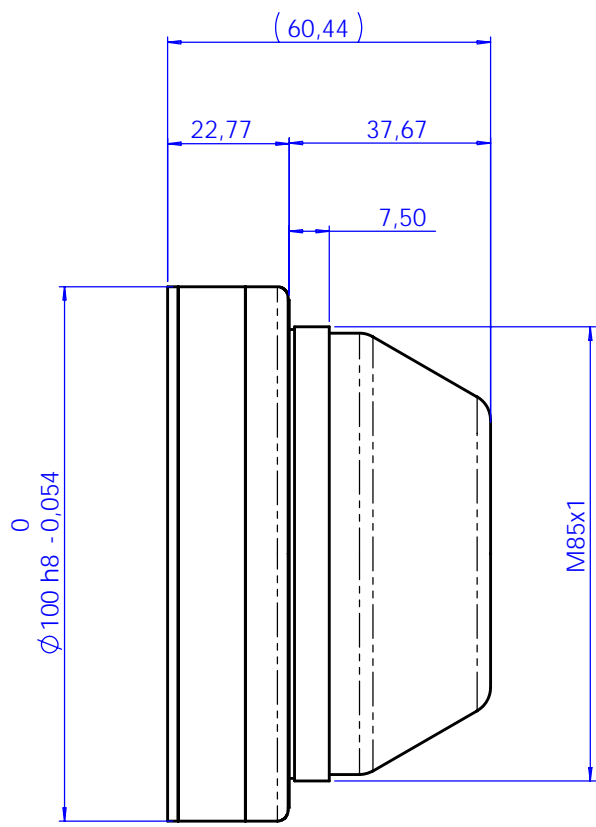
**FT0532-0163**

163 mm, 532 nm  
Fiber Laser F-Theta Lens



part number		FT0532-0163
<b>Wavelength Range</b>	(nm)	532 +/- 30
<b>Focal Length</b>	(mm)	163,0
<b>Back Focal Length</b>	(mm)	186,3
<b>Flange Focal Length</b>	(mm)	209,0
<b>Diagonal Scan Angle</b>	(deg)	57,0
<b>Diagonal Scan Field</b>	(mm)	162,2
<b>Maximum Scan Area</b>	(mm <sup>2</sup> )	114,7 x 114,7
<b>Entrance Beam Diameter</b>	(mm)	15
<b>Mirrors Distance (m1)</b>	(mm)	16,0
<b>2nd mirror Distance (m2)</b>	(mm)	12,3
<b>1/e<sup>2</sup> Spot Radius</b>	(micron)	10
<b>Mounting Thread</b>		M85x1
<b>Length</b>	(mm)	60,4
<b>Outer Diameter</b>	(mm)	100,0
<b>Protective Window</b>		Yes

Rev No.	Description	Date	Name
A	First light	13/07/08	A.Vismara



Material	N.A.		Mass	523 g	Scale	1:1	
Surface treatment	N.A.		Project-Prod.Item/Instrument	F-theta			
Geometrical tolerance (ISO 2768-2)		Class	K	Undimensioned bevels	1x45°	Description LAYOUT OF F-THETA 163mm, 532 nm	
Linear tolerance (ISO 2768-2)		Class	m	Undimensioned radii	R 0.5		
0.5	>3-	>6-	>30-	>120	>400-	>1000	>2000
+3	6	30	120	+400	1000	+2000	+4000
±0.1	±0.1	±0.2	±0.3	±0.5	±0.8	±1.2	±2
		Date	Name	Drawing No.	Sheet		
		Designed	13/07/08	A.Vismara	DD00012-A	1/1	
		Draw	13/07/08	A.Vismara			
		Checked	X	C. Sedazzari			
<i>Reproduction forbidden without specific authorization</i>							