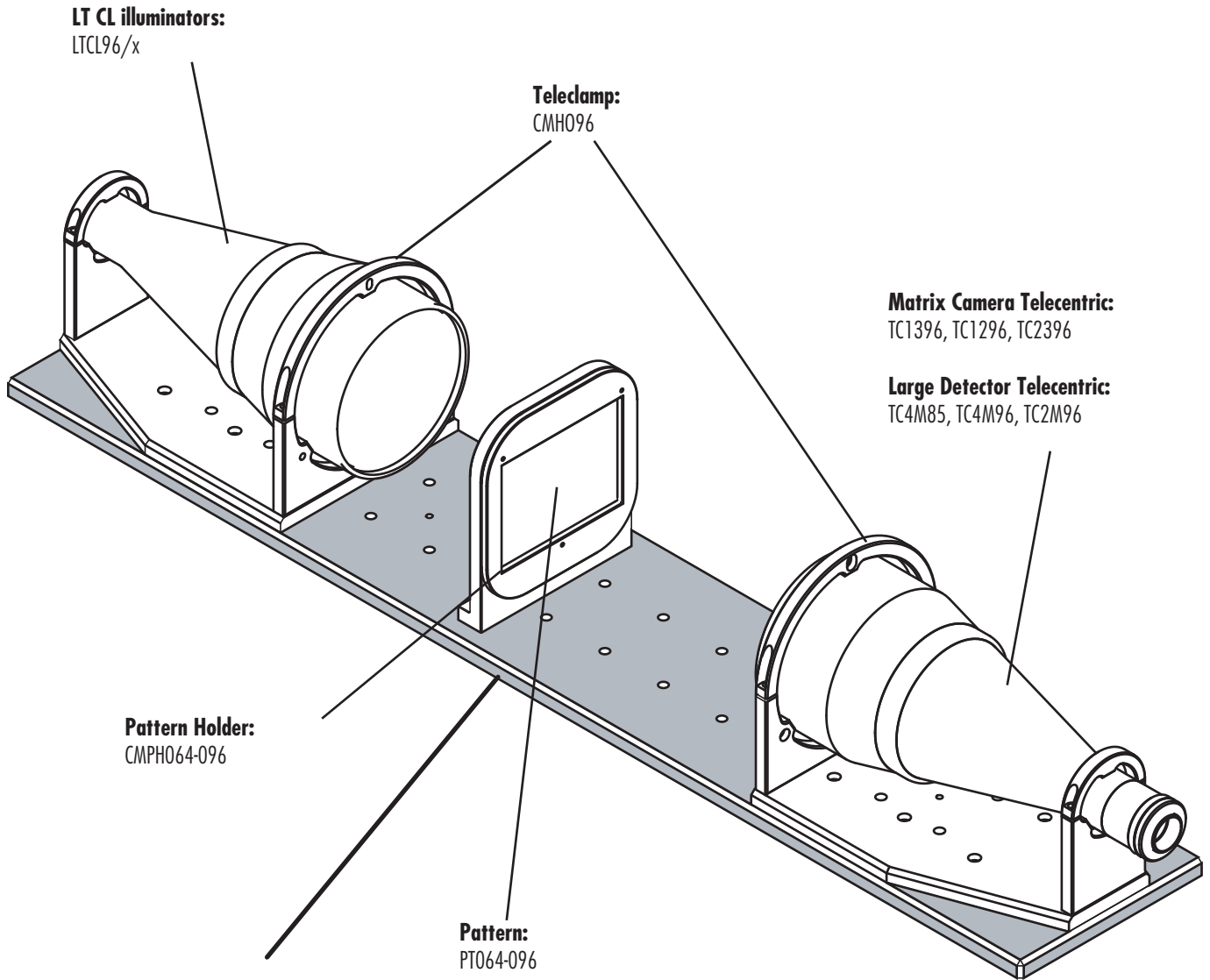


CMPT96

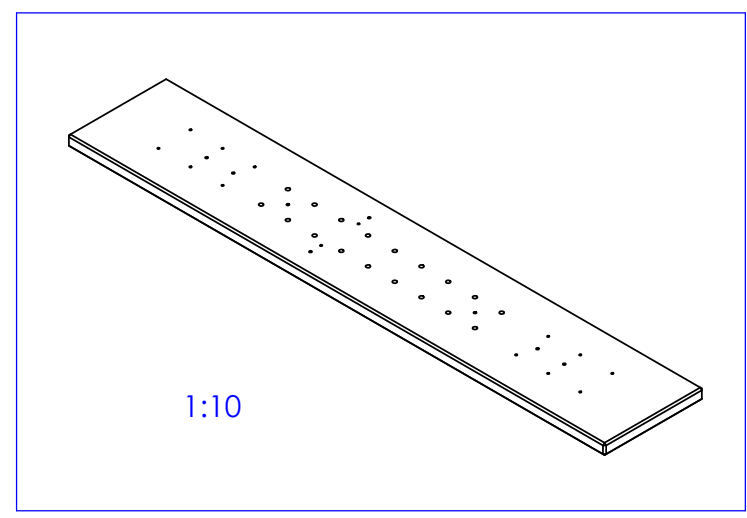
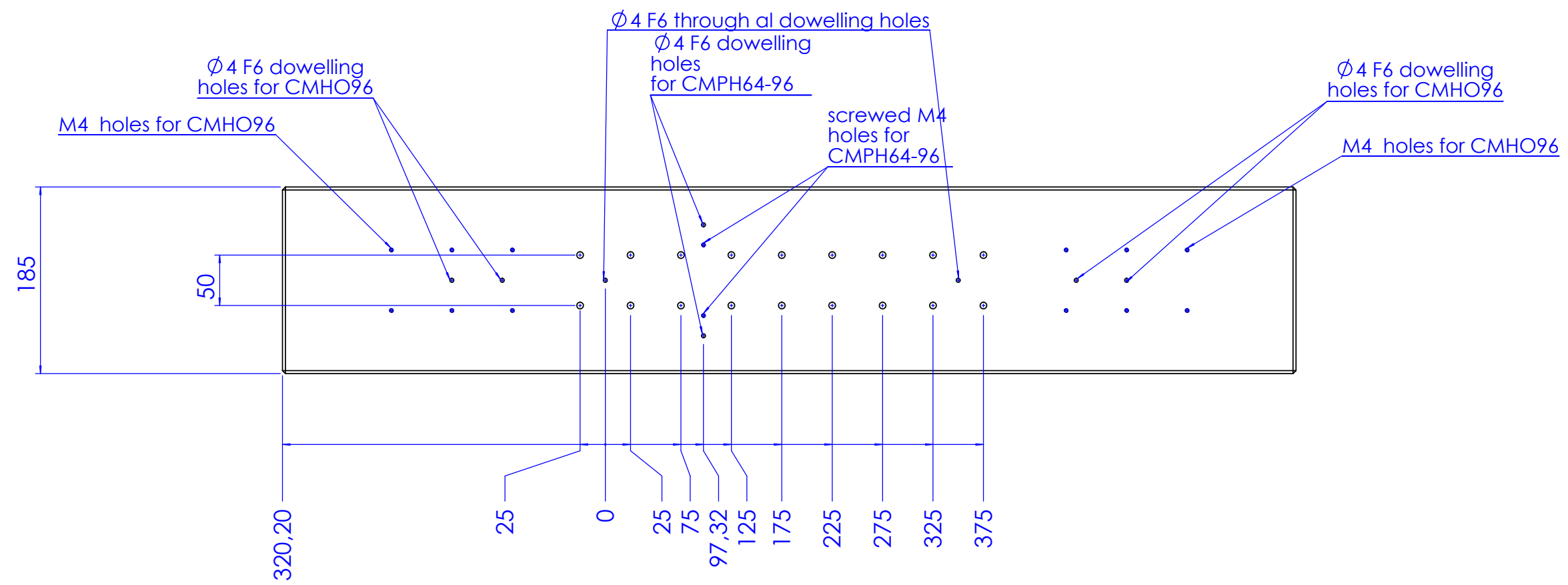
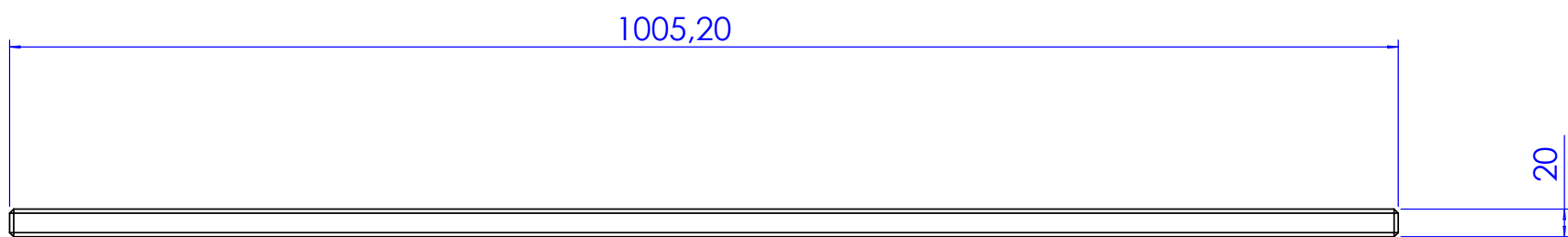
Optical Plate For 96-Type Telecentric Optics



CMPT96

part number		CMPT96
Compatible CMHO mechanics		CMH096
Compatible Pattern mounts		CMPHO64-096
Length	(mm)	1005,0
Width	(mm)	185,0
Thickness	(mm)	20,0
Weight	(g)	9940

Rev No.	Description	Date	Name
A	New Part	16/09/09	N. Santini



Material Aluminum - UNI EN 573 EN AW 6063		Mass 9939 g		Scale 1:5	
Surface treatment Gray Condensed Anodization		Project-Prod.item/Instrument CMPT96		Description CMPT96	
Geometrical tolerance (ISO 2768-2)		Class	K	Undimensioned bevels	1x45°
Linear tolerance (ISO 2768-2)		Class	m	Undimensioned radii	R 0.5
0,5 ±3	>3± 6	>6± 30	>30± 120	>120 ±400	>400± 1000
±0,1	±0,1	±0,2	±0,3	±0,5	±0,8
					±1,2
					±2
		Date	Name	Drawing No.	Sheet
Designed		16/09/09	N. Santini	18903-0-A	1/1
Draw		16/09/09	N. Santini		
Checked		X	C.Sedazzari	Reproduction forbidden without specific authorization	
OPTO ENGINEERING S.r.l. - 46100 Mantova Italy - Via Cremona, 29/2 - Tel. +39 0376 263565 - e-mai: info@opto-engineering.com - http://www.opto-engineering.com					