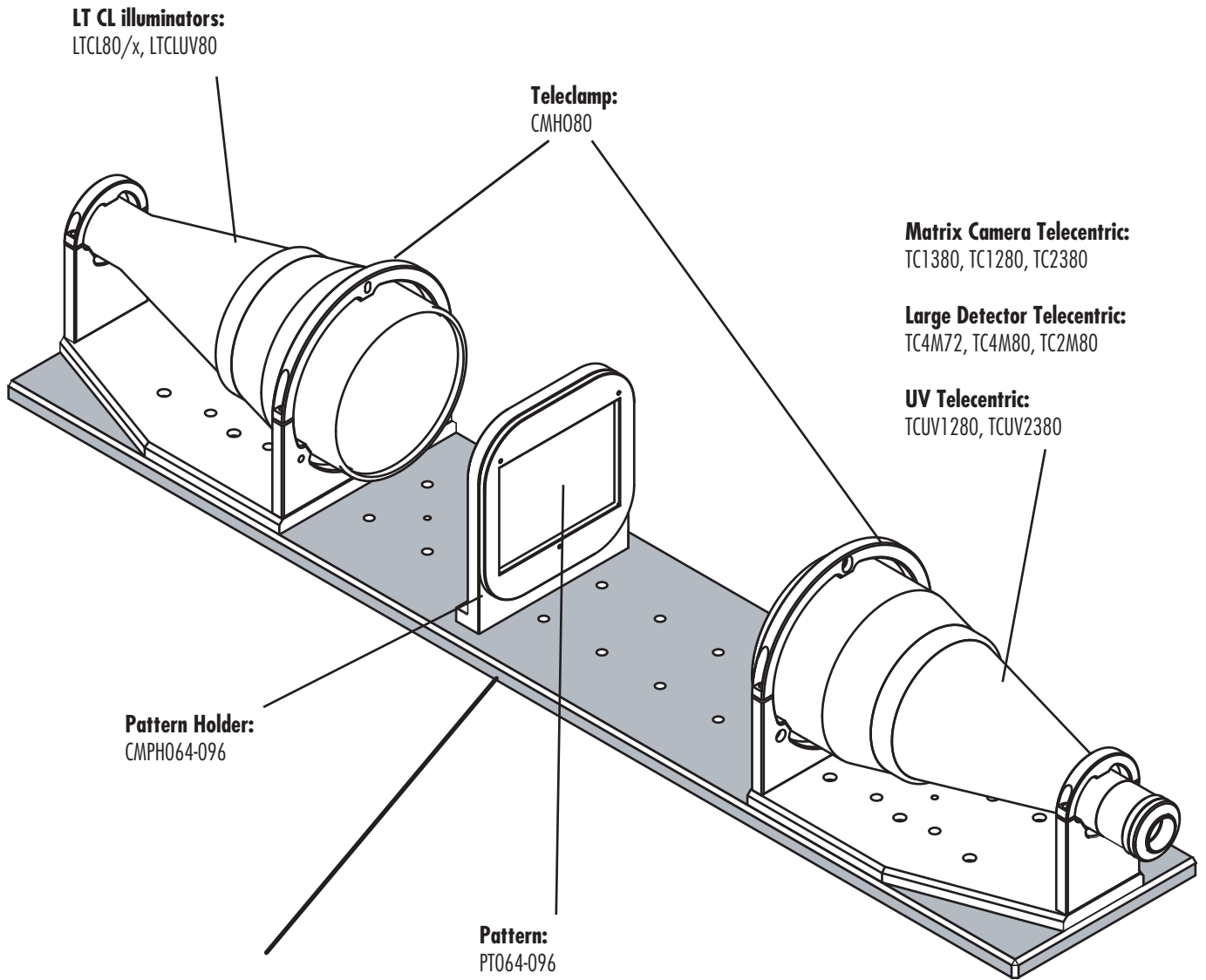


**CMPT80**

# Optical Plate For 80-Type Telecentric Optics

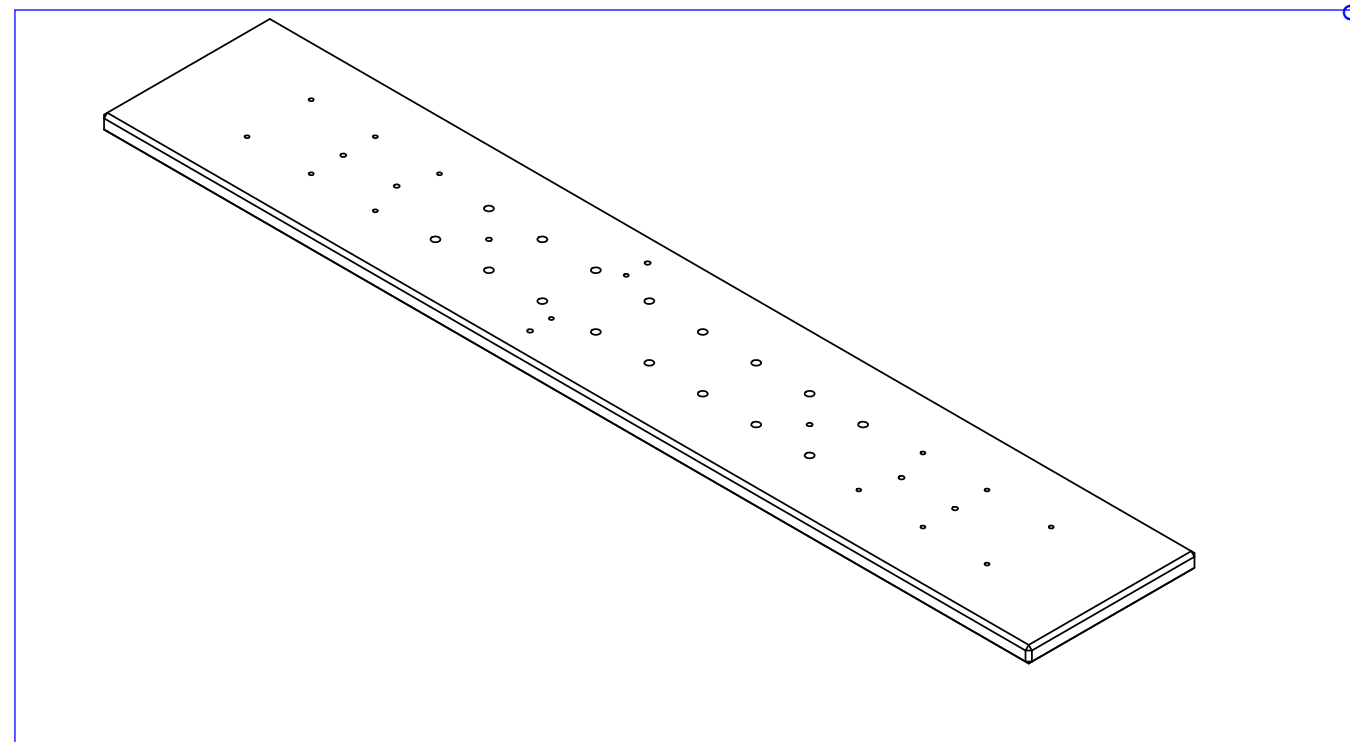
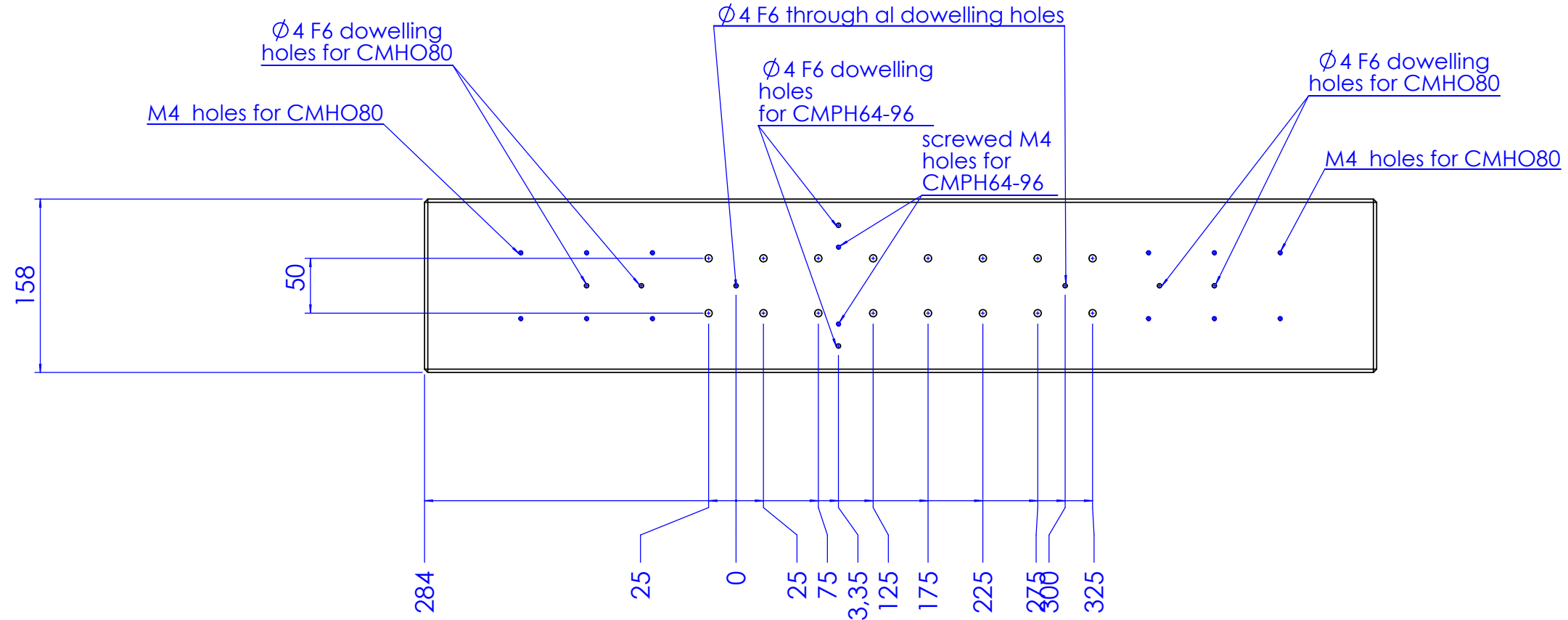
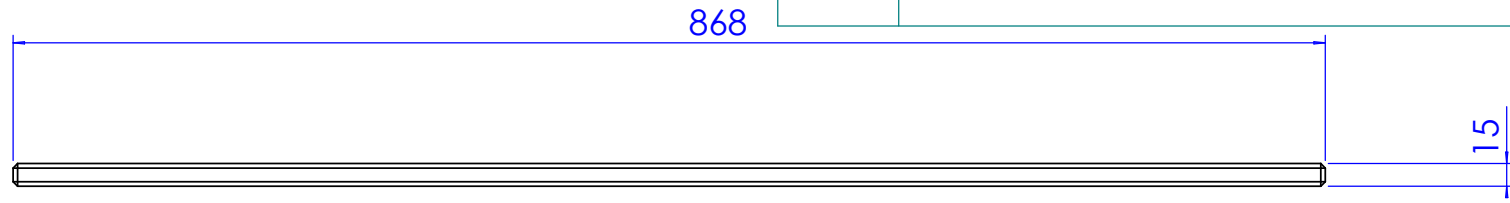


## CMPT80

part number		CMPT80
<b>Compatible CMHO mechanics</b>		CMH080
<b>Compatible Pattern mounts</b>		CMPHO64-096
<b>Length</b>	(mm)	868,0
<b>Width</b>	(mm)	158,0
<b>Thickness</b>	(mm)	15,0
<b>Weight</b>	(g)	5470

1 2 3 4 5 6 7 8

Rev No.	Description	Date	Name
A	New Part	16/09/09	N. Santini



Material <b>Aluminum - UNI EN 573 EN AW 6063</b>		Mass <b>5474 g</b>		Scale <b>1:5</b>	
Surface treatment <b>Gray Condensed Anodization</b>		Project-Prod.item/Instrument <b>CMPT80</b>		Description <b>CMPT80</b>	
Geometrical tolerance (ISO 2768-2)			Class	K	Undimensioned bevels
Linear tolerance (ISO 2768-2)			Class	m	1x45°
0,5 ±3	>3÷ 6	>6÷ 30	>30÷ 120	>120 ±400	>400÷ 1000
±0,1	±0,1	±0,2	±0,3	±0,5	±0,8
			>1000 ±2000	>2000 ±4000	Undimensioned radii
			±1,2	±2	R 0.5
		Date	Name	Drawing No.	Sheet
Designed		16/09/09	N. Santini	18952-0-A	1/1
Draw		16/09/09	N. Santini		
Checked		X	C.Sedazzari	Reproduction forbidden without specific authorization	
OPTO ENGINEERING S.r.l. - 46100 Mantova Italy - Via Cremona, 29/2 - Tel. +39 0376 263565 - e-mai: info@opto-engineering.com - http://www.opto-engineering.com					

1 2 3 4 5 6 7 8

0 1 2 3 4 5 6 7 8 9 10