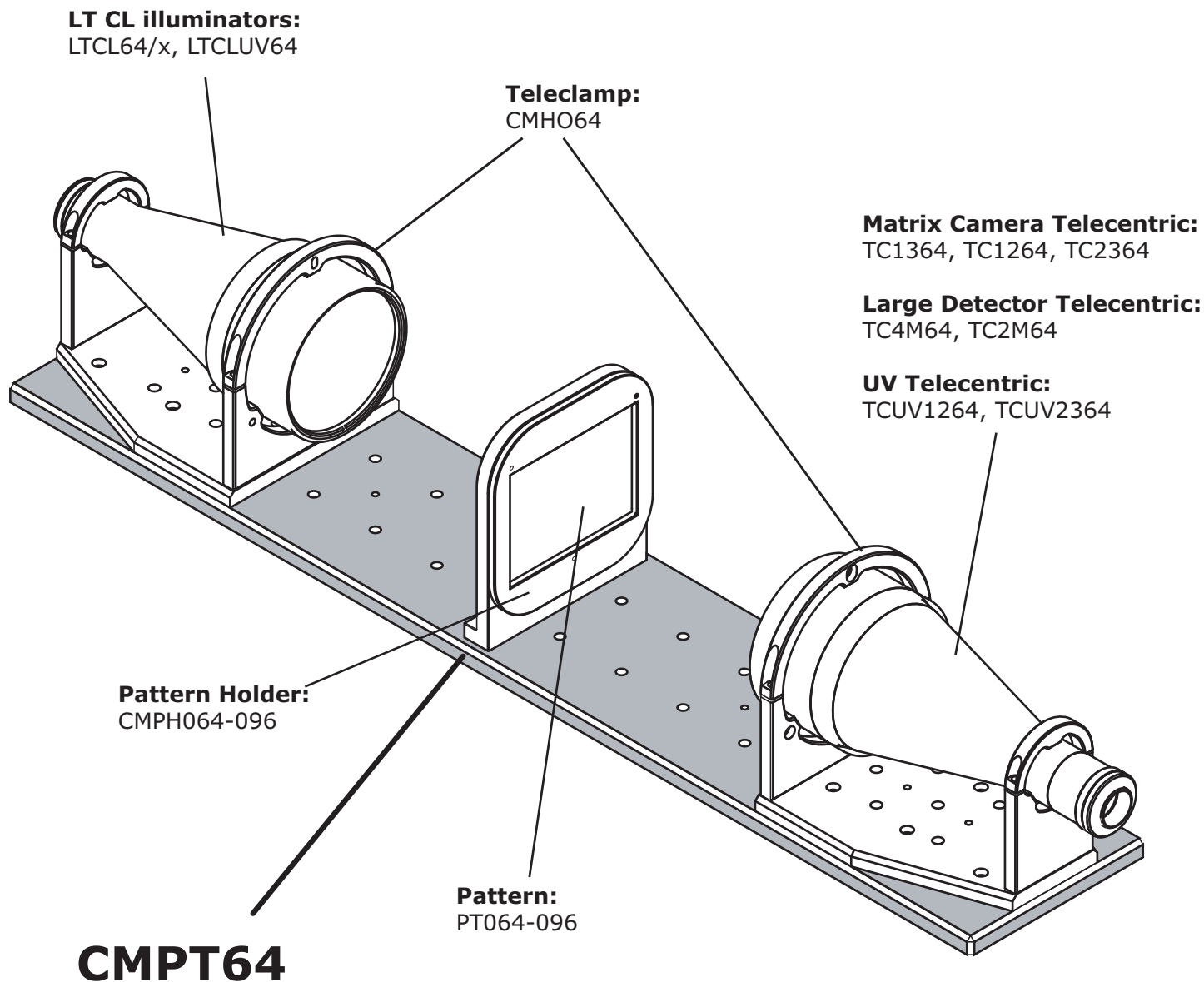


CMPT64

OPTICAL PLATE FOR 64-TYPE TELECENTRIC OPTICS



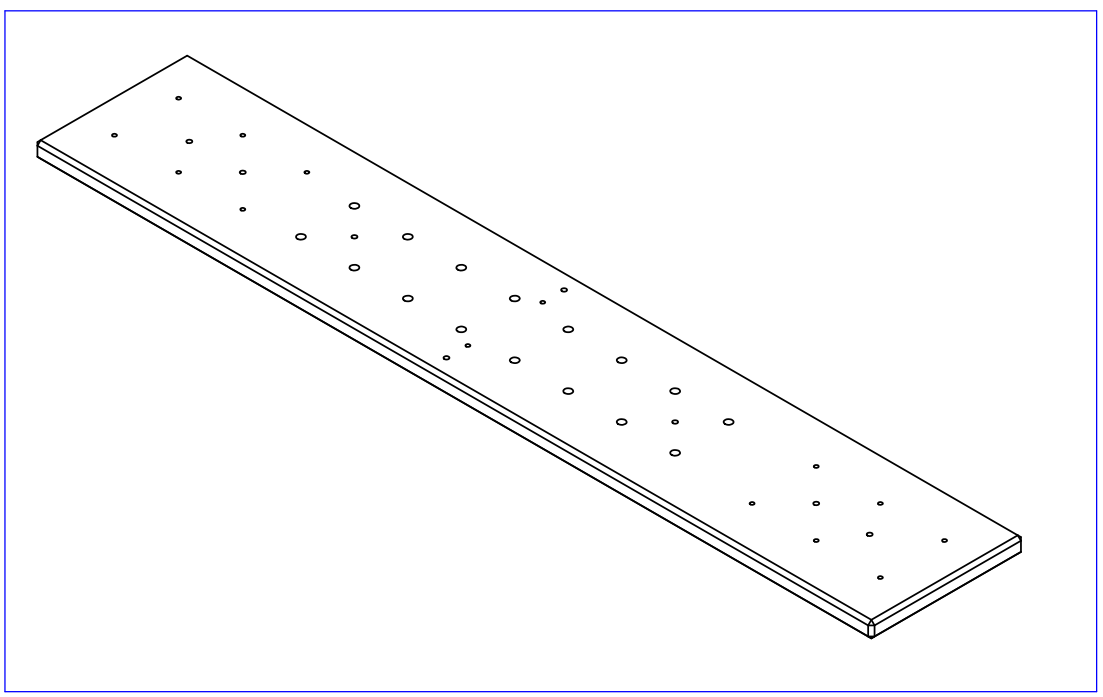
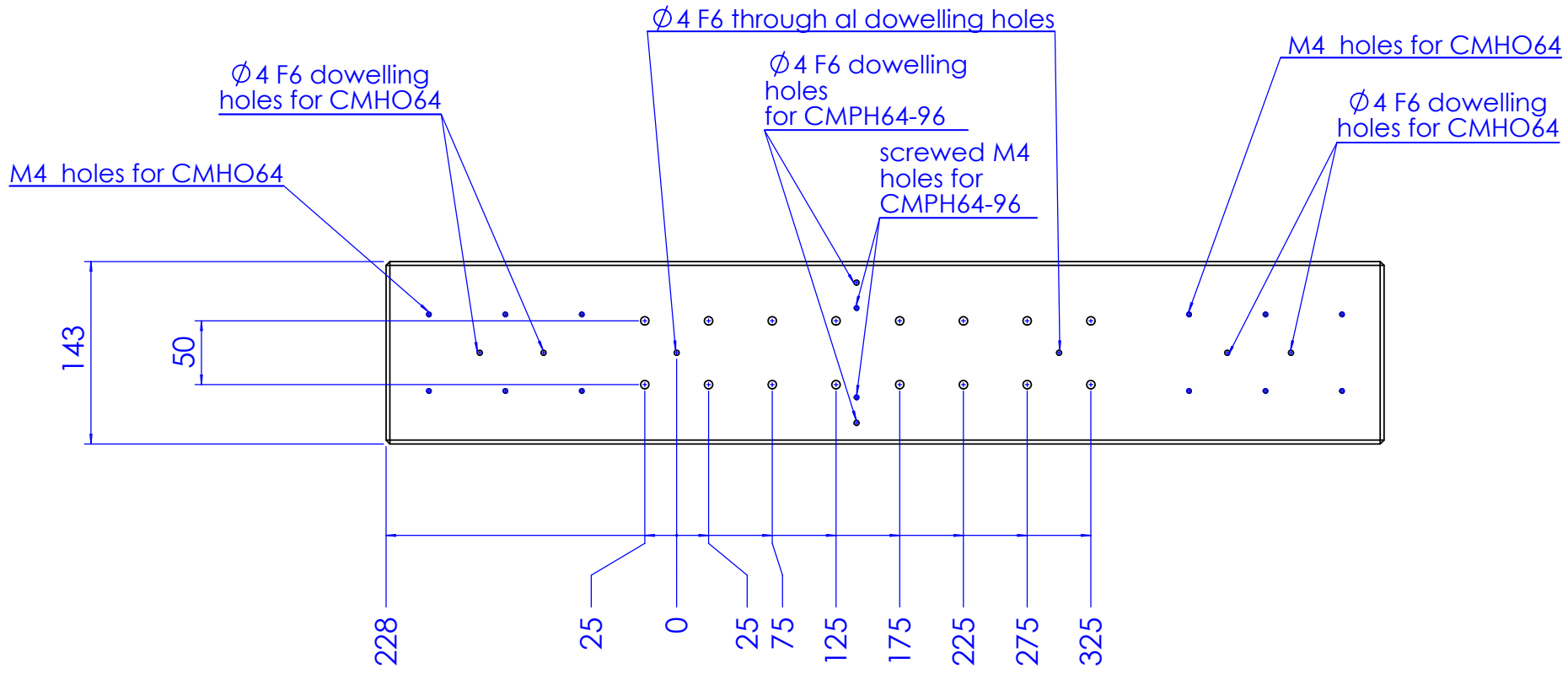
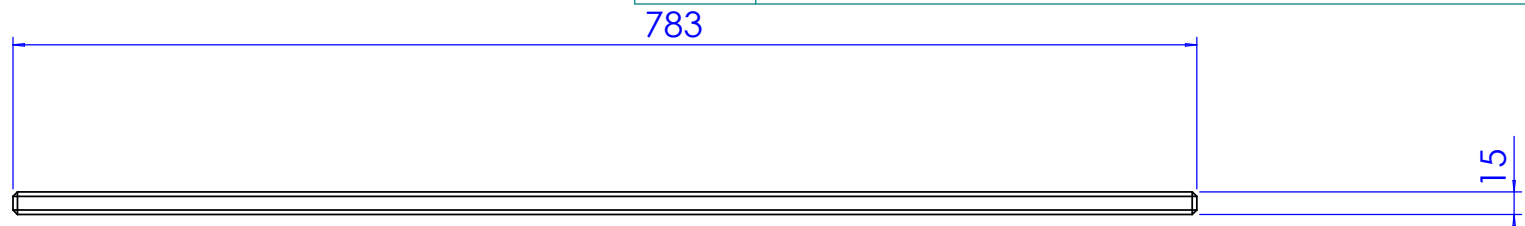
WWW.OPTO-ENGINEERING.COM



Part Number		CMPT64
Compatible CMHO mechanics		CMHO64
Compatible Pattern mounts		CMPH064-096
Length	(mm)	783,0
Width	(mm)	143,0
Thickness	(mm)	15,0
Weigh	(g)	4460

MECHANICAL DRAWINGS: see next page >>

Rev No.	Description	Date	Name
A	New Part	16/09/09	N. Santini



Material Aluminum - UNI EN 573 EN AW 6063		Mass 4460 g		Scale 1:5		
Surface treatment Gray Condensed Anodization		Project-Prod.item/Instrument CMPT64		Description CMPT64		
Geometrical tolerance (ISO 2768-2)			Class K	Undimensioned bevels 1x45°	Drawing No. 18863-0-A	
Linear tolerance (ISO 2768-2)			Class m	Undimensioned radii R 0.5		
0.5 ±3	>3± 6	>6± 30	>30± 120	>120 ±400	>400± 1000	
					>1000 ±2000	
					>2000 ±4000	
±0.1	±0.1	±0.2	±0.3	±0.5	±0.8	
					±1.2	
					±2	
 www.opto-engineering.com		Date	Name	Sheet		
		Designed	16/09/09	N. Santini	1/1	
		Draw	16/09/09	N. Santini		
		Checked	X	C.Sedazzari	Reproduction forbidden without specific authorization	
OPTO ENGINEERING S.r.l. - 46100 Mantova Italy - Via Cremona, 29/2 - Tel. +39 0376 263565 - e-mai: info@opto-engineering.com - http://www.opto-engineering.com						