

CMPT16-24

OPTICAL PLATE FOR 16/24-TYPE TELECENTRIC OPTICS



LT CL illuminators:
LTCL24/x

Teleclamp:
CMHO24

Matrix Camera Telecentric:
TC1224, TC2324

Large Detector Telecentric:
TC4M24, TC2M24

Pattern Holder:
CMPH004-024

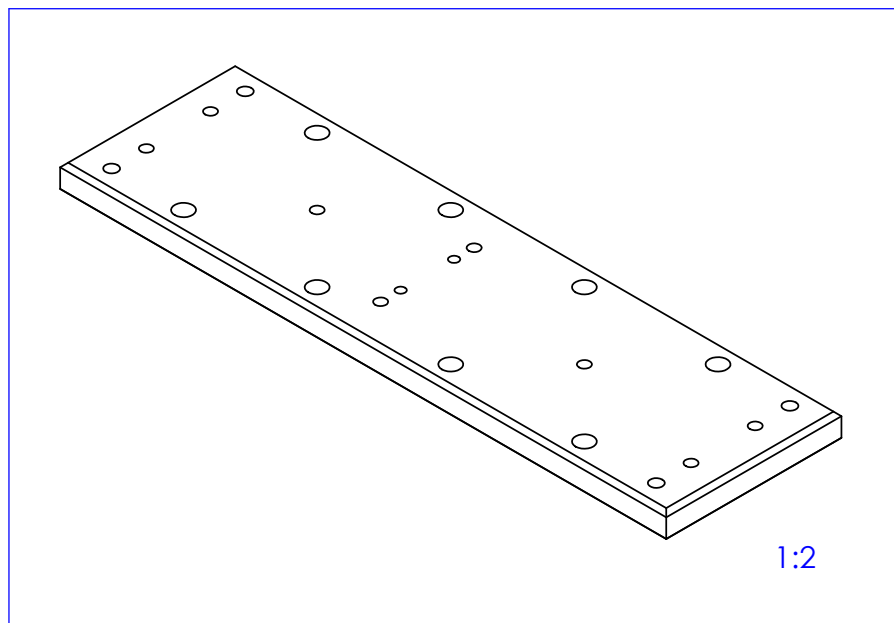
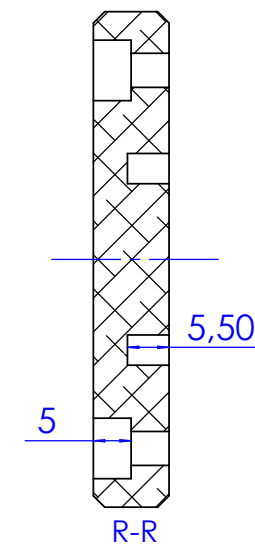
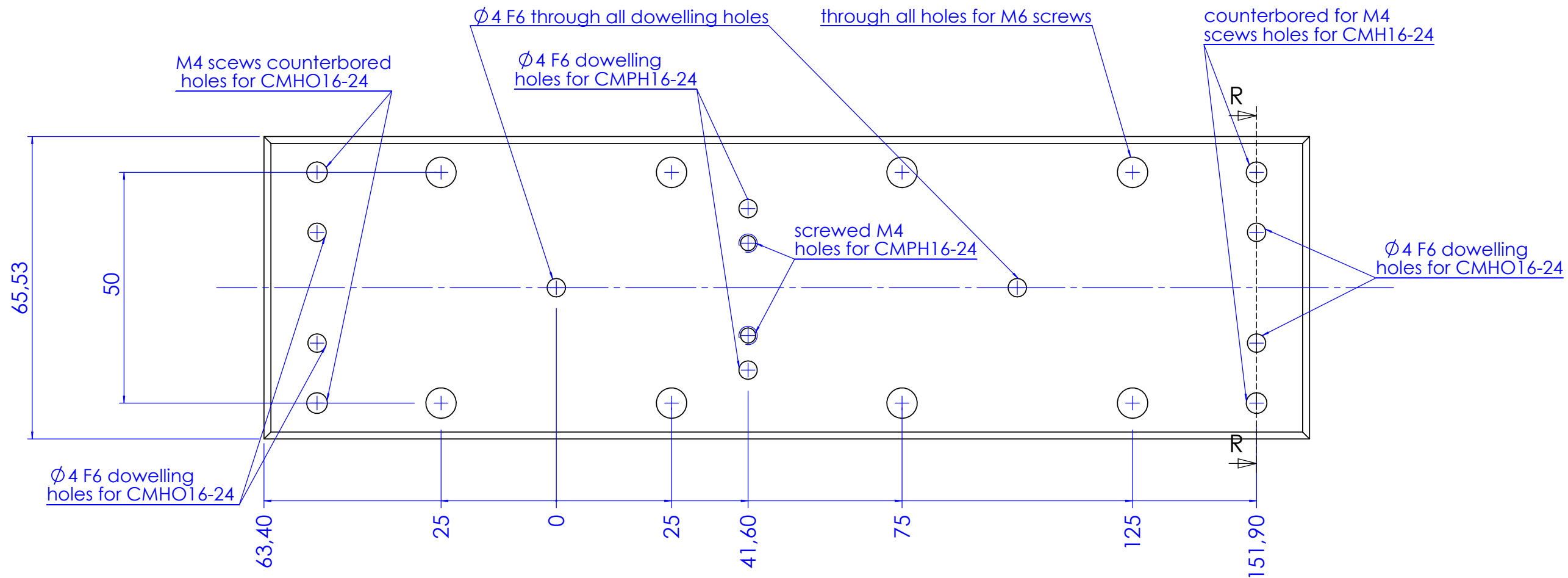
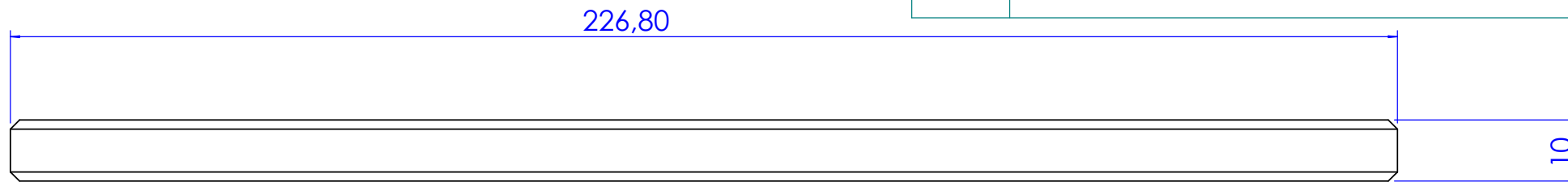
Pattern:
PT016-024

CMPT16-24

Part Number		CMPT16-24
Compatible CMHO mechanics		CMHO16, CMHO24
Compatible Pattern mounts		CMPH004-024
Length	(mm)	226,8
Width	(mm)	66,5
Thickness	(mm)	10,0
Weigh	(g)	385

MECHANICAL DRAWINGS: see next page >>

Rev No.	Description	Date	Name
A	New Part	16/09/09	N. Santini



Material Aluminum - UNI EN 573 EN AW 6063		Mass 384.5 g		Scale 1:1																									
Surface treatment Gray Condensed Anodization		Project-Prod.item/Instrument CMPT16-24		Description CMPT16-24																									
Geometrical tolerance (ISO 2768-2)		Class K		Undimensioned bevels 1x45°																									
Linear tolerance (ISO 2768-2)		Class m		Undimensioned radii R 0.5																									
<table border="1"> <tr> <td>0.5</td> <td>>3÷</td> <td>>6÷</td> <td>>30÷</td> <td>>120</td> <td>>400÷</td> <td>>1000</td> <td>>2000</td> </tr> <tr> <td>±3</td> <td>6</td> <td>30</td> <td>120</td> <td>±400</td> <td>1000</td> <td>±2000</td> <td>±4000</td> </tr> <tr> <td>±0.1</td> <td>±0.1</td> <td>±0.2</td> <td>±0.3</td> <td>±0.5</td> <td>±0.8</td> <td>±1.2</td> <td>±2</td> </tr> </table>		0.5	>3÷	>6÷	>30÷	>120	>400÷	>1000	>2000	±3	6	30	120	±400	1000	±2000	±4000	±0.1	±0.1	±0.2	±0.3	±0.5	±0.8	±1.2	±2	Date 16/09/09		Name N. Santini	
0.5	>3÷	>6÷	>30÷	>120	>400÷	>1000	>2000																						
±3	6	30	120	±400	1000	±2000	±4000																						
±0.1	±0.1	±0.2	±0.3	±0.5	±0.8	±1.2	±2																						
		Designed 16/09/09		N. Santini																									
		Draw 16/09/09		N. Santini																									
www.opto-engineering.com		Checked X		C.Sedazzari																									
OPTO ENGINEERING S.r.l. - 46100 Mantova Italy - Via Cremona, 29/2 - Tel. +39 0376 263565 - e-mail: info@opto-engineering.com - http://www.opto-engineering.com		Drawing No. 18972-0-A		Sheet 1/1																									
<i>Reproduction forbidden without specific authorization</i>																													