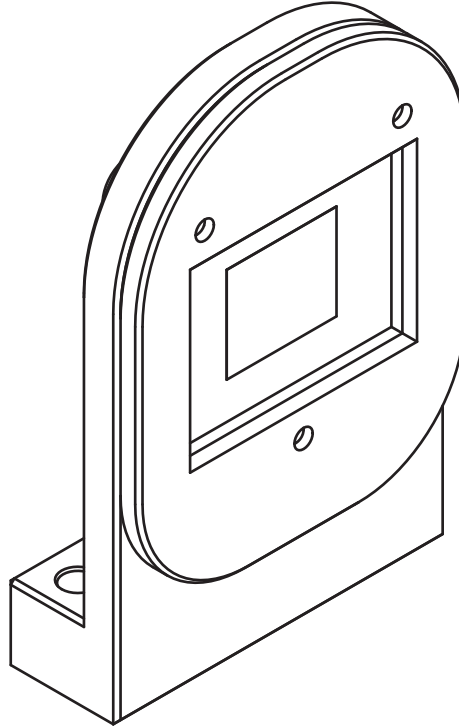


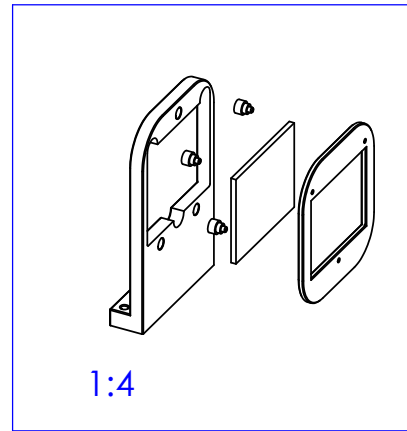
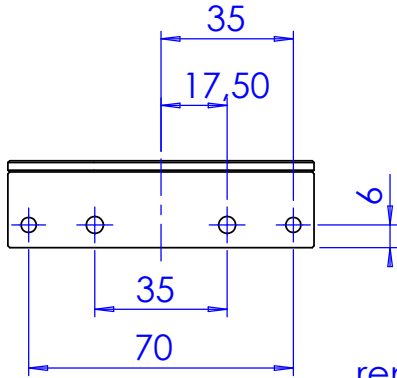
CMPH036-056

Pattern Holder For PT036-056 Type Patterns

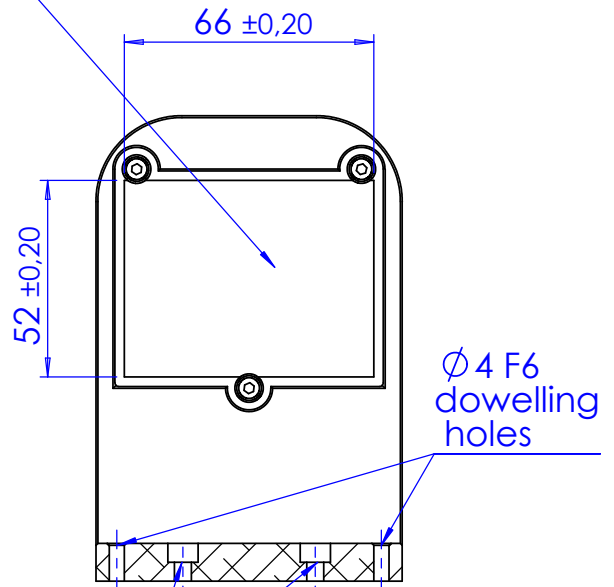
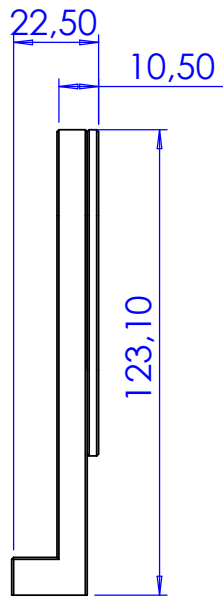
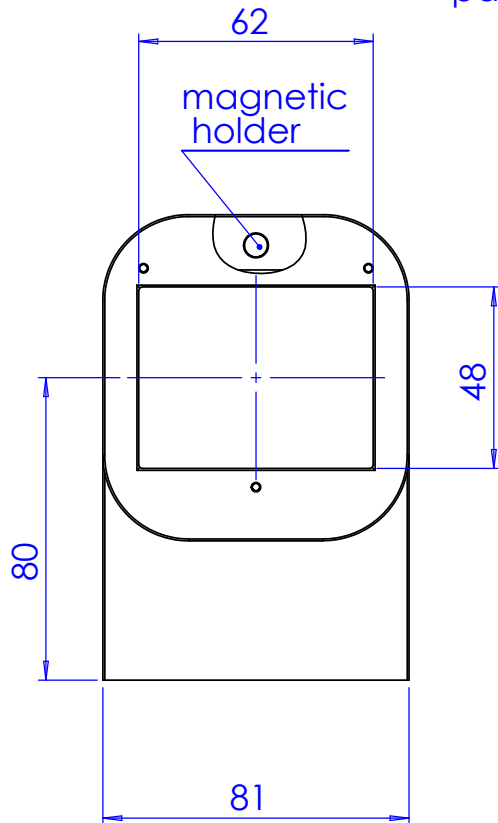


part number		CMPH036-056
Compatible Optics		PT036-056
Width	(mm)	81,0
Height	(mm)	123,1
Thickness	(mm)	22,5
Weight	(g)	257

1	2	3	4
Rev No.	Description	Date	Name
A	New Part	17/09/09	N. Santini



removable
chrome on glass
pattern



counterbored holes
for M4 screws

Material		N.A.			Mass	256.9 g	Scale	1:2		
Surface treatment		N.A.			Project-Prod.item/Instrument CMPH036-056					
Geometrical tolerance (ISO 2768-2)				Class	K	Description CMHO036-056				
Linear tolerance (ISO 2768-2)				Class	m				Undimensioned bevels	0.5x45°
0.5 ±3	>3÷ 6	>6÷ 30	>30÷ 120	>120 ±400	>400÷ 1000				>1000 ±2000	>2000 ±4000
±0.1	±0.1	±0.2	±0.3	±0.5	±0.8	±1.2	±2			
 www.opto-engineering.com		Date		Name		Drawing No.		Sheet		
		Designed	17/09/09	N. Santini		18948-0-A		1/1		
		Draw	17/09/09	N. Santini						
Checked	X	C. Sedazzari		Reproduction forbidden without specific authorization						
OPTO ENGINEERING S.r.l. - 46100 Mantova Italy - Via Cremona, 29/2 - Tel. +39 0376 229585 - e-mai: info@opto-engineering.com - http://www.opto-engineering.com										