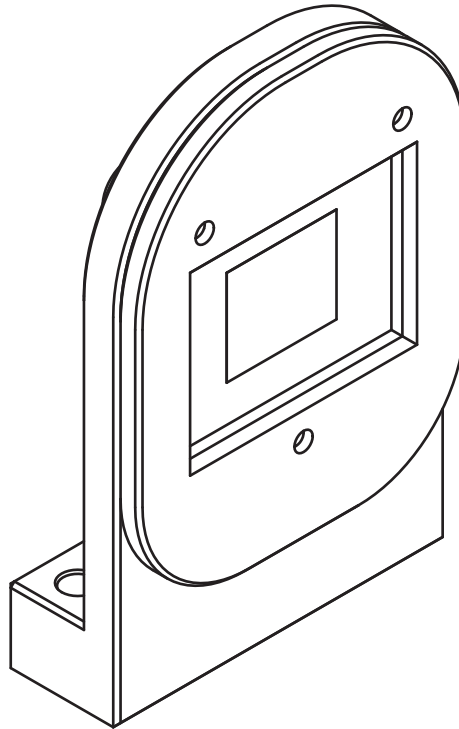


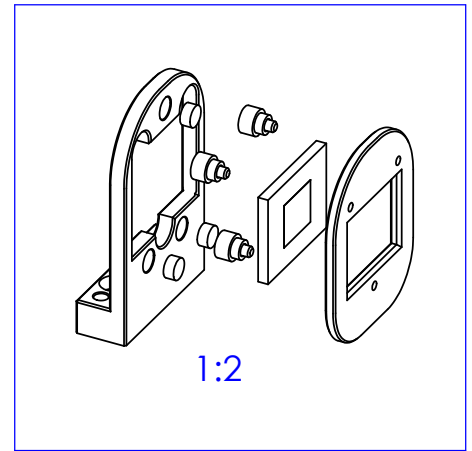
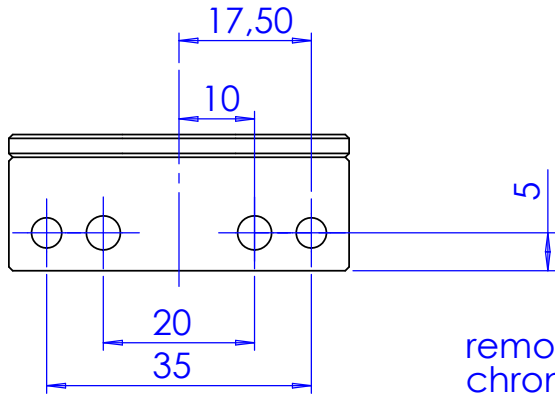
CMPH004-024

PT004-009 and PT016-024
Pattern Holder

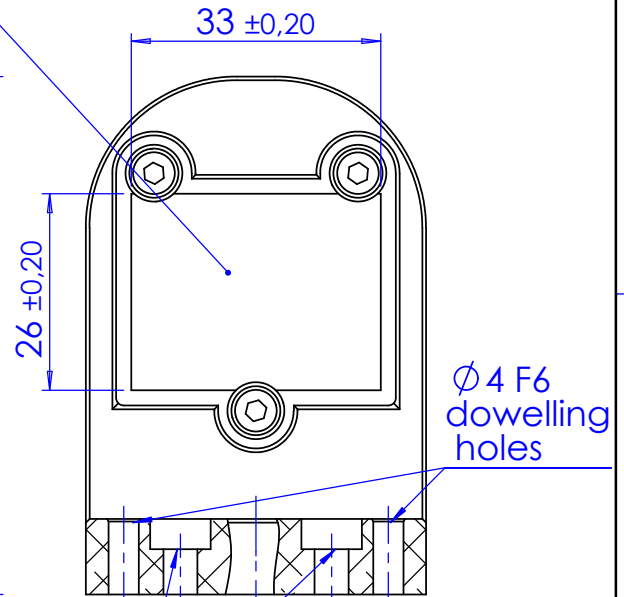
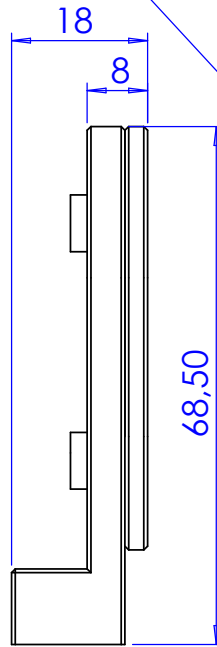
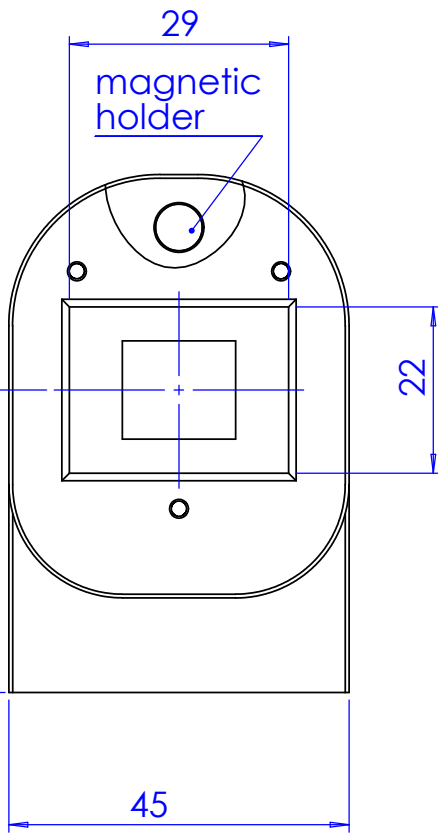


part number		CMPH004-024
Compatible Optics		PT004-009, PT016-024
Width	(mm)	45,0
Height	(mm)	68,5
Thickness	(mm)	18,0
Weight	(g)	78

1	2	3	4
Rev No.	Description	Date	Name
A	New Part	17/09/09	N. Santini



removable
chrome on glass
pattern



Material		N.A.				Mass	78,4 g	Scale	1:1				
Surface treatment		N.A.		Project-Prod.item/Instrument									
				CMPH004-024									
Geometrical tolerance (ISO 2768-2)				Class	K	Description							
Linear tolerance (ISO 2768-2)				Class	m					0.5x45			
0.5 ±3	>3÷ 6	>6÷ 30	>30÷ 120	>120 ±400	>400÷ 1000					>1000 ±2000	>2000 ±4000	CMHO004-024	
±0.1	±0.1	±0.2	±0.3	±0.5	±0.8	±1.2	±2	R 0.5					
 www.opto-engineering.com				Date	Name	Drawing No.		Sheet					
		Designed	17/09/09	N. Santini	18938-0-A		1/1						
		Draw	17/09/09	N. Santini									
		Checked	X	C. Sedazzari	Reproduction forbidden without specific authorization								
OPTO ENGINEERING S.r.l. - 46100 Mantova Italy - Via Cremona, 29/2 - Tel. +39 0376 229585 - e-mai: info@opto-engineering.com - http://www.opto-engineering.com													