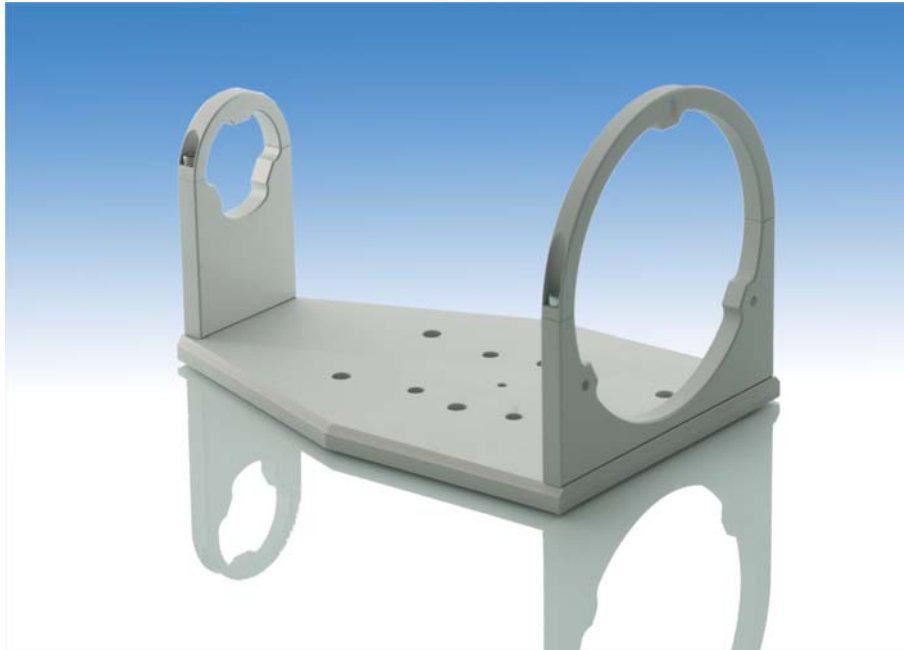


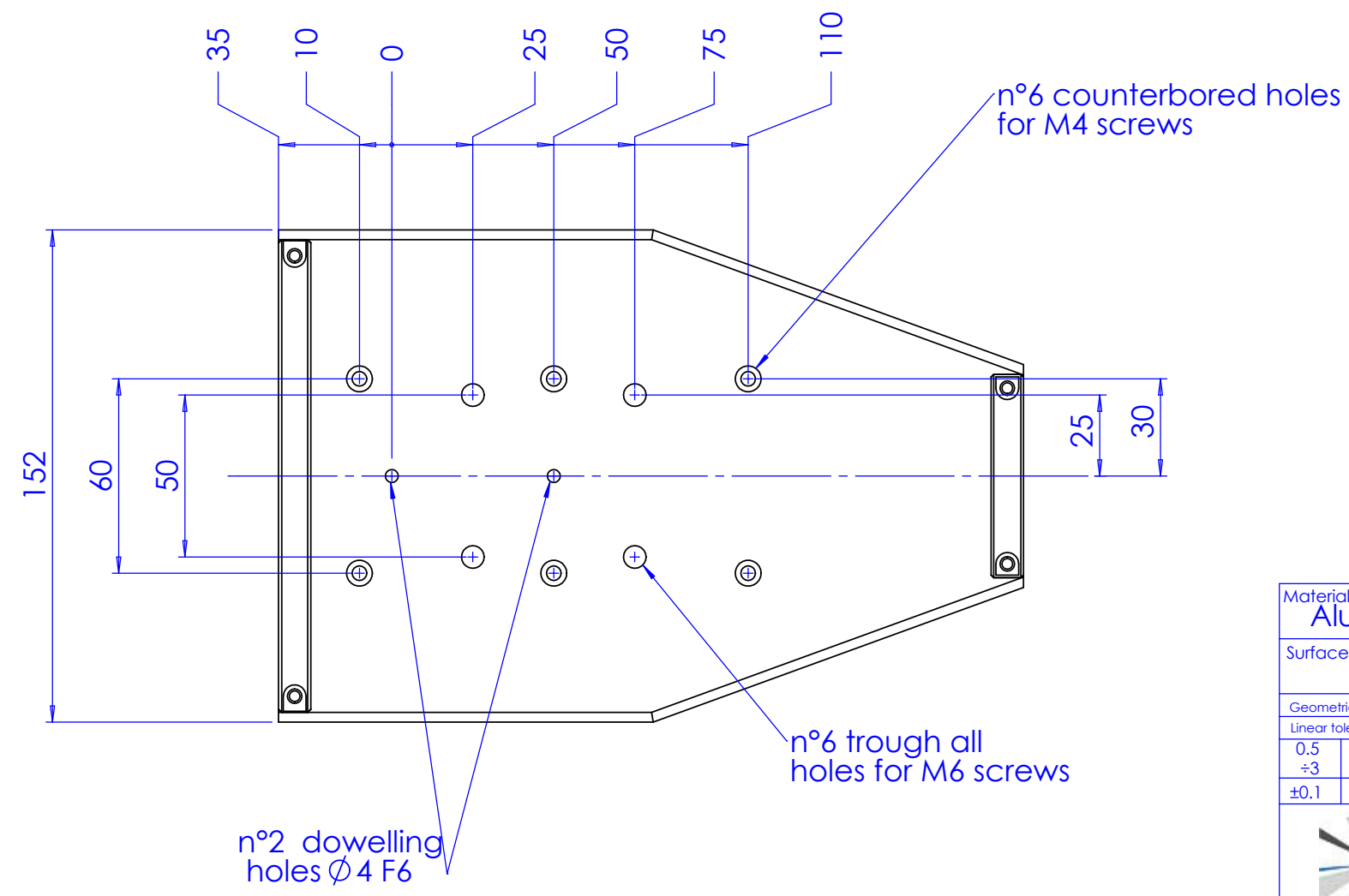
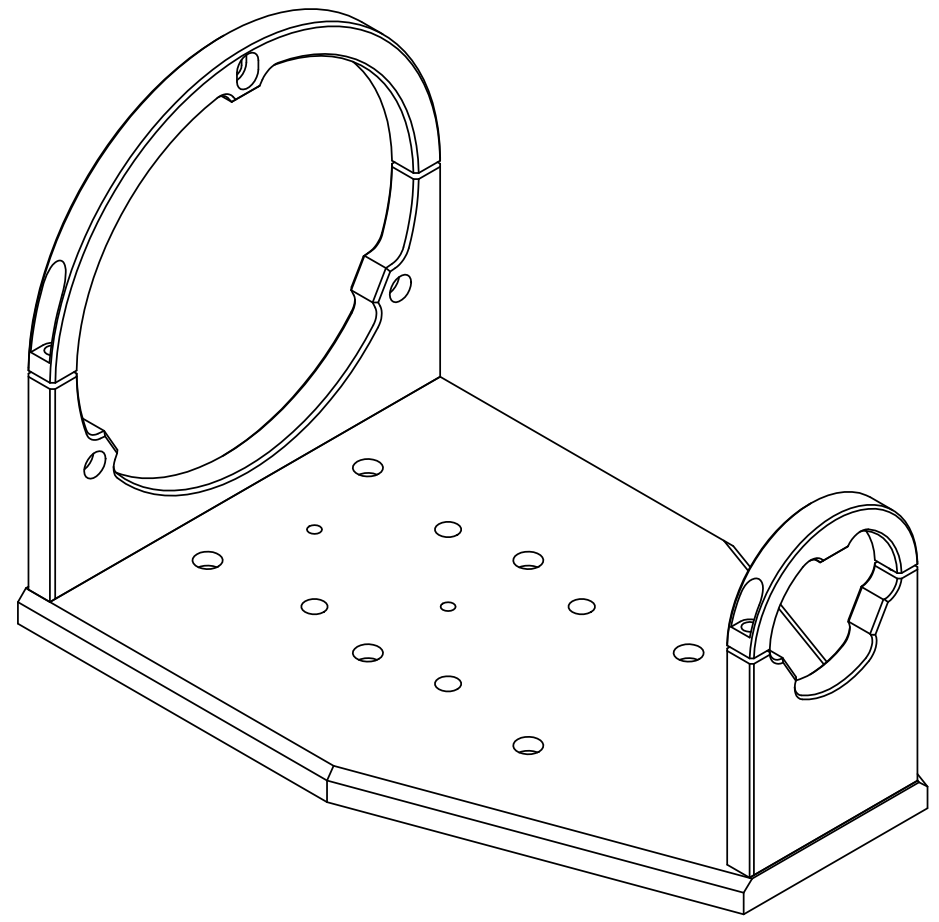
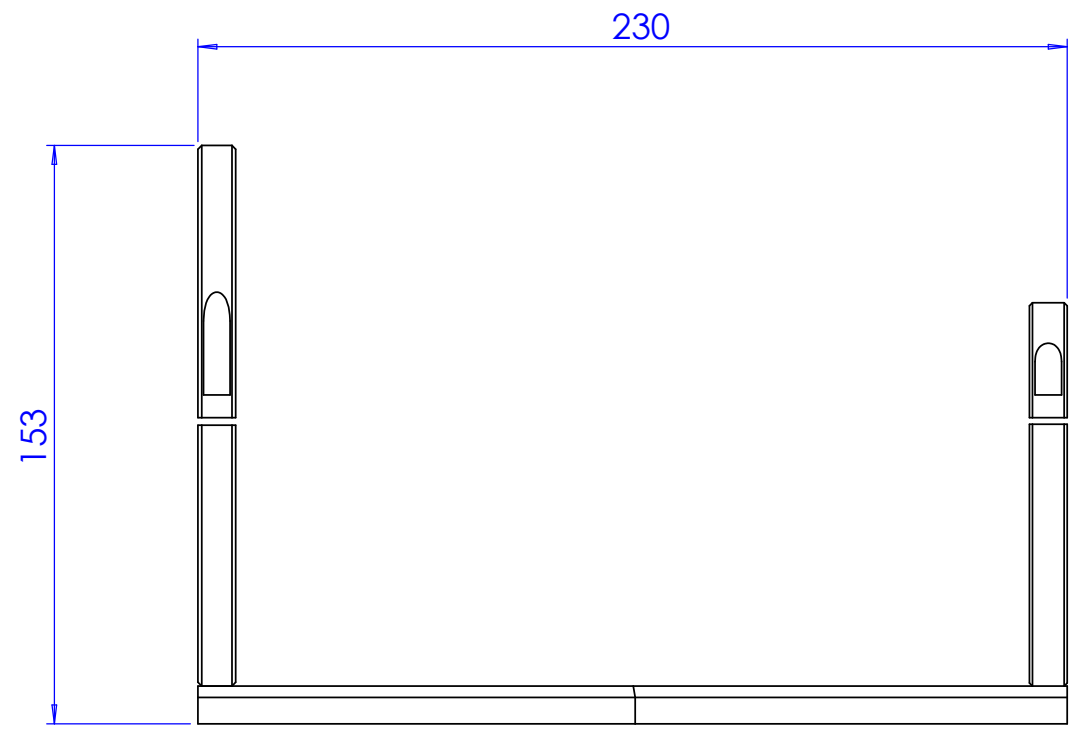
CMH080

Mechanical Holder for 80-type telecentric optics



part number		CMH080
Compatible Optics		
Matrix Camera Telecentric		TC2372, TC1380, TC1280, TC2380
Large Detector Telecentric		TC4M72, TC4M80, TC2M80
Very Large Detector Telecentric		TC16M080
LT CL illuminators		LTCL80/x
Compatible Plates		CMPT80
Length	(mm)	230,0
Width	(mm)	153
Height	(mm)	152,0
Optical Axis Height	(mm)	80,0
Weight	(g)	1060,0

5	6	7	8
Rev No.	Description	Date	Name
A	new part	16/09/09	N.Santini



Material Aluminum - UNI EN 573 EN AW 6063	Surface treatment Gray Anodization	Mass 1065 g	Scale 1:2																																																																												
Geometrical tolerance (ISO 2768-2)		Project-Prod.item/Instrument CMHO80																																																																													
Linear tolerance (ISO 2768-2)		Description CMHO80																																																																													
<table border="1"> <tr> <th>Class</th> <th>K</th> <th>Undimensioned bevels</th> <th>Undimensioned radii</th> </tr> <tr> <td>0.5</td> <td>3</td> <td>0.5x45°</td> <td>R 0.5</td> </tr> <tr> <td>>3÷</td> <td>6</td> <td></td> <td></td> </tr> <tr> <td>>6÷</td> <td>30</td> <td></td> <td></td> </tr> <tr> <td>>30÷</td> <td>120</td> <td></td> <td></td> </tr> <tr> <td>>120</td> <td>÷400</td> <td></td> <td></td> </tr> <tr> <td>>400÷</td> <td>1000</td> <td></td> <td></td> </tr> <tr> <td>>1000</td> <td>÷2000</td> <td></td> <td></td> </tr> <tr> <td>>2000</td> <td>÷4000</td> <td></td> <td></td> </tr> <tr> <td>±0.1</td> <td>±0.1</td> <td></td> <td></td> </tr> <tr> <td></td> <td>±0.2</td> <td></td> <td></td> </tr> <tr> <td></td> <td>±0.3</td> <td></td> <td></td> </tr> <tr> <td></td> <td>±0.5</td> <td></td> <td></td> </tr> <tr> <td></td> <td>±0.8</td> <td></td> <td></td> </tr> <tr> <td></td> <td>±1.2</td> <td></td> <td></td> </tr> <tr> <td></td> <td>±2</td> <td></td> <td></td> </tr> </table>		Class	K	Undimensioned bevels	Undimensioned radii	0.5	3	0.5x45°	R 0.5	>3÷	6			>6÷	30			>30÷	120			>120	÷400			>400÷	1000			>1000	÷2000			>2000	÷4000			±0.1	±0.1				±0.2				±0.3				±0.5				±0.8				±1.2				±2			<table border="1"> <tr> <th>Date</th> <th>Name</th> <th>Drawing No.</th> <th>Sheet</th> </tr> <tr> <td>Designed 16/09/09</td> <td>N.Santini</td> <td rowspan="3">18923-0-A</td> <td rowspan="3">1/1</td> </tr> <tr> <td>Draw 16/09/09</td> <td>N.Santini</td> </tr> <tr> <td>Checked X</td> <td>C. Sedazzari</td> </tr> </table>		Date	Name	Drawing No.	Sheet	Designed 16/09/09	N.Santini	18923-0-A	1/1	Draw 16/09/09	N.Santini	Checked X	C. Sedazzari
Class	K	Undimensioned bevels	Undimensioned radii																																																																												
0.5	3	0.5x45°	R 0.5																																																																												
>3÷	6																																																																														
>6÷	30																																																																														
>30÷	120																																																																														
>120	÷400																																																																														
>400÷	1000																																																																														
>1000	÷2000																																																																														
>2000	÷4000																																																																														
±0.1	±0.1																																																																														
	±0.2																																																																														
	±0.3																																																																														
	±0.5																																																																														
	±0.8																																																																														
	±1.2																																																																														
	±2																																																																														
Date	Name	Drawing No.	Sheet																																																																												
Designed 16/09/09	N.Santini	18923-0-A	1/1																																																																												
Draw 16/09/09	N.Santini																																																																														
Checked X	C. Sedazzari																																																																														
<p>www.opto-engineering.com</p> <p>OPTO ENGINEERING S.r.l. - 46100 Mantova Italy - Via Cremona, 29/2 - Tel/fax +39 0376 223525 - e-mail: info@opto-engineering.com - http://www.opto-engineering.com</p>																																																																															

D
C
B
A

D
C
B
A

1 2 3 4 5 6 7 8

0 1 2 3 4 5 6 7 8 9 10