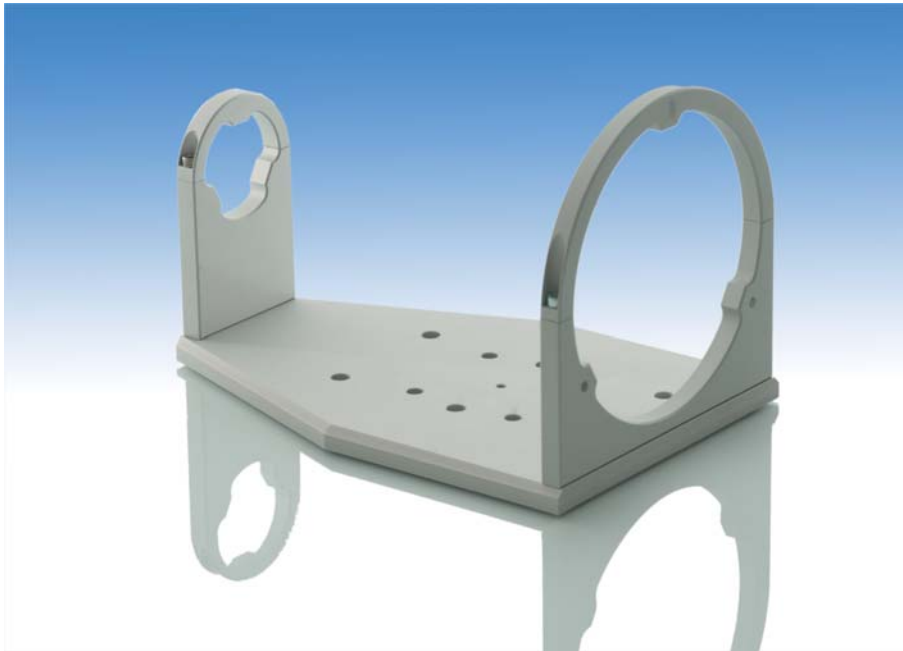


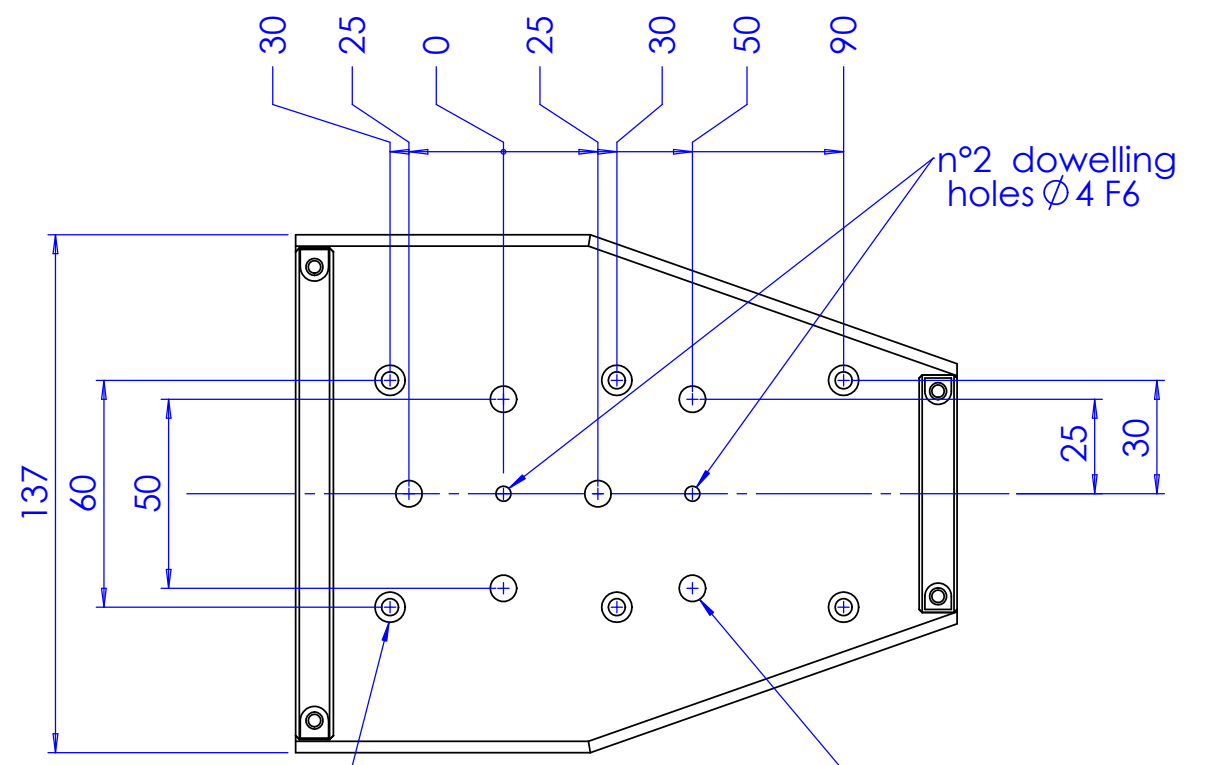
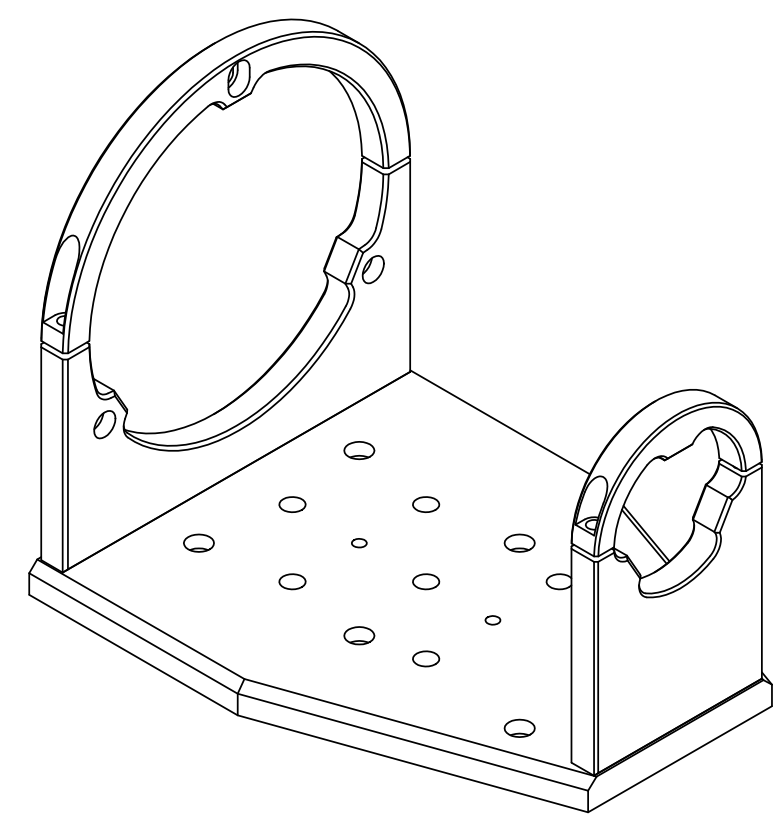
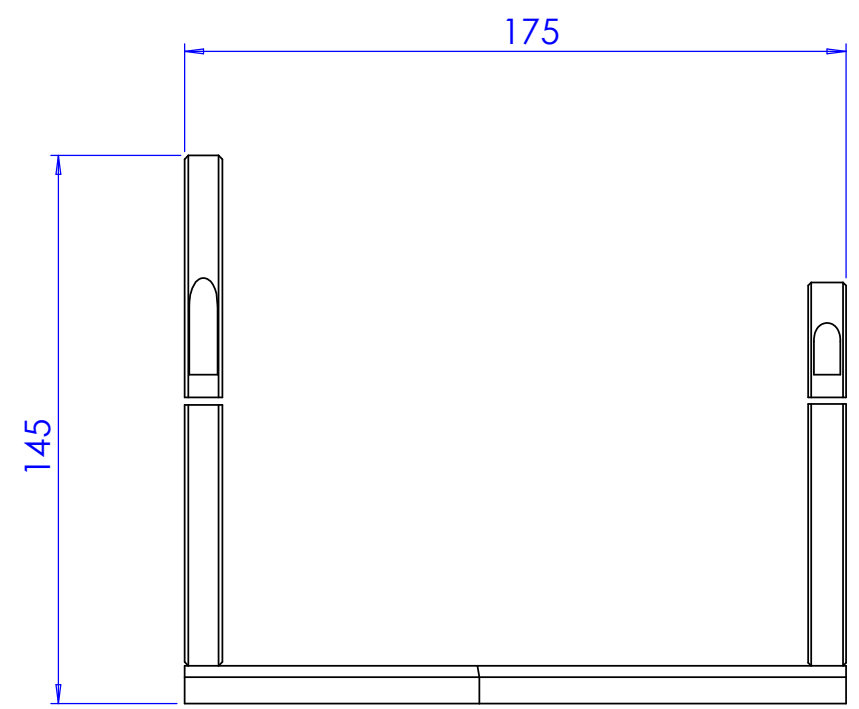
CMH064

Mechanical Holder for 64-type telecentric optics



part number		CMH064
Compatible Optics		
Matrix Camera Telecentric		TC1364, TC1264, TC2364
Large and Very Large Detector Telecentric		TC4M64, TC2M64
Very Large Detector Telecentric		TC16M064
LT CL illuminators		LTCL64/x
Compatible Plates		CMPT64
Length	(mm)	175,0
Width	(mm)	137
Height	(mm)	145,0
Optical Axis Height	(mm)	80,0
Weight	(g)	810

5	6	7	8
Rev No.	Description	Date	Name
A	new part	16/09/09	N.Santini



n°6 counterbored holes for M4 screws

n°2 dowelling holes $\varnothing 4 F6$

Material Aluminum - UNI EN 573 EN AW 6063		Mass 810.2	Scale 1:2					
Surface treatment Gray Anodization		Project-Prod.item/Instrument CMHO64						
Geometrical tolerance (ISO 2768-2)		Undimensioned bevels 0.5x45°	Description CMHO64					
Linear tolerance (ISO 2768-2)								
0.5 ±3	>3± 6	>6± 30	>30± 120	>120 ±400	>400± 1000	>1000 ±2000	>2000 ±4000	Undimensioned radii R 0.5
±0.1	±0.1	±0.2	±0.3	±0.5	±0.8	±1.2	±2	
 www.opto-engineering.com		Date	Name	Drawing No.	Sheet			
		Designed	16/09/09	N.Santini	18856-0-A			
		Draw	16/09/09	N.Santini				
Checked	X	C. Sedazzari	Reproduction forbidden without specific authorization					
OPTO ENGINEERING S.r.l. - 46100 Mantova Italy - Via Cremona, 29/2 - Tel/fax +39 0376 223525 - e-mail: info@opto-engineering.com - http://www.opto-engineering.com								