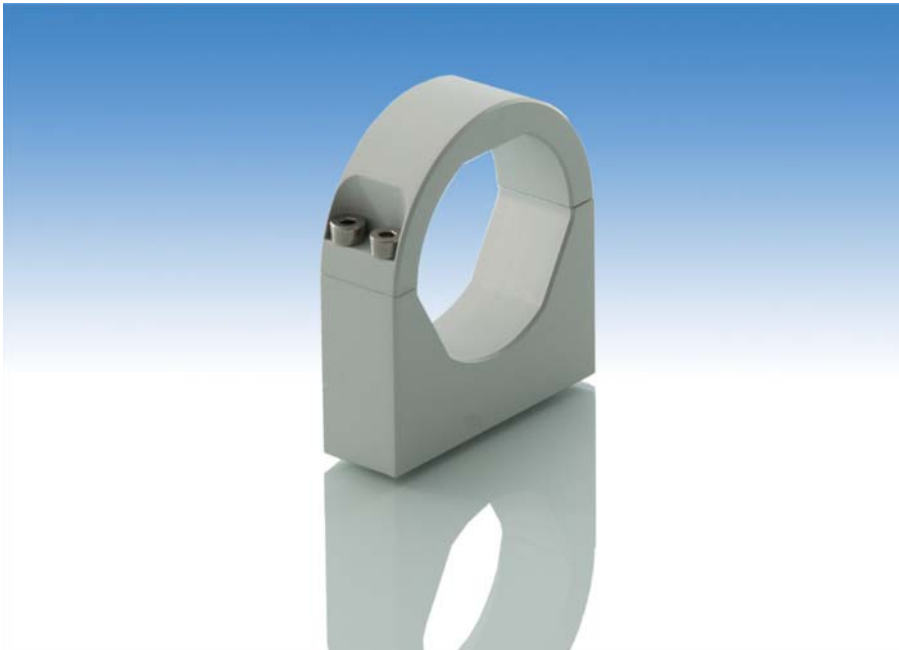


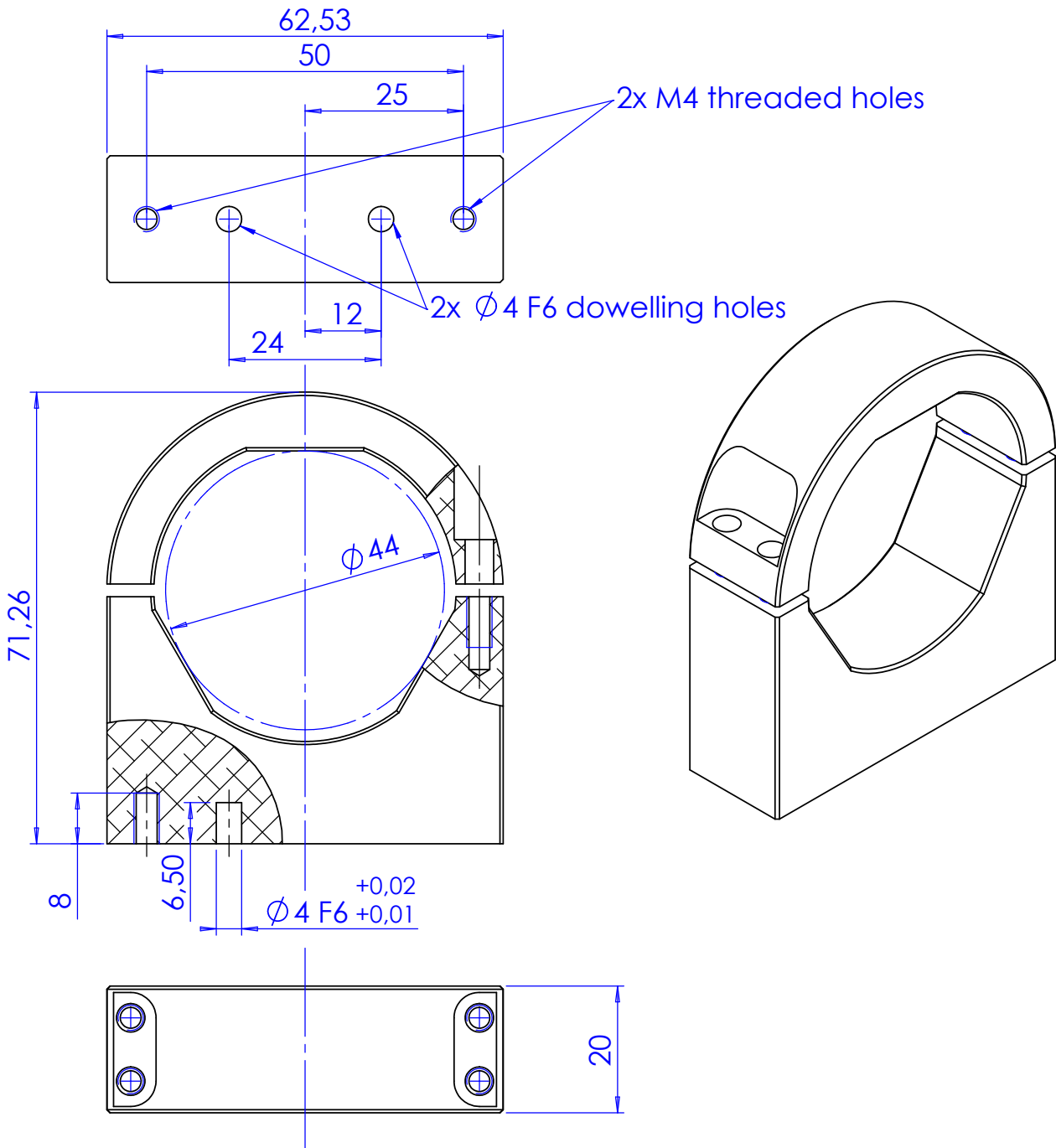
CMH024

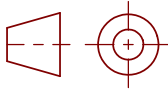

Mechanical Holder for 24-type telecentric optics



part number		CMH024
Compatible Optics		
Matrix Camera Telecentric		TC 1224, TC 2324
Large Detector Telecentric		TC 4M24, TC 2M24
Very Large Detector Telecentric		
LT CL illuminators		LTCL24/x
Compatible Plates		CMP16-24
Length	(mm)	20,0
Width	(mm)	63
Height	(mm)	71,2
Optical Axis Height	(mm)	40,0
Weight	(g)	115,0

Rev No.	Description	Date	Name
A	New Part	16/09/09	N. Santini



Material Aluminum - UNI EN 573 EN AW 6063			Mass 115.7 g	Scale 1:1																	
Surface treatment Grey Anodizing			Project-Prod.item/Instrument CMHO24																		
Geometrical tolerance (ISO 2768-2)		Undimensioned bevels 0.5x45° Undimensioned radii R 0.5	Description CMHO24																		
Linear tolerance (ISO 2768-2)																					
<table border="1"> <tr> <td>0.5 ±3</td> <td>>3± 6</td> <td>>6± 30</td> <td>>30± 120</td> <td>>120 ±400</td> <td>>400± 1000</td> <td>>1000 ±2000</td> <td>>2000 ±4000</td> </tr> <tr> <td>±0.1</td> <td>±0.1</td> <td>±0.2</td> <td>±0.3</td> <td>±0.5</td> <td>±0.8</td> <td>±1.2</td> <td>±2</td> </tr> </table>	0.5 ±3				>3± 6	>6± 30	>30± 120	>120 ±400	>400± 1000	>1000 ±2000	>2000 ±4000	±0.1	±0.1	±0.2	±0.3	±0.5	±0.8	±1.2	±2	Class	K
0.5 ±3	>3± 6	>6± 30	>30± 120	>120 ±400	>400± 1000	>1000 ±2000	>2000 ±4000														
±0.1	±0.1	±0.2	±0.3	±0.5	±0.8	±1.2	±2														
 www.opto-engineering.com		Date		Name		Drawing No.		Sheet													
Designed		16/09/09		N. Santini		18875-0-A		1/1													
Draw		16/09/09		N. Santini																	
Checked		X		C. Sedazzari		Reproduction forbidden without specific authorization															
OPTO ENGINEERING S.r.l. - 46100 Mantova Italy - Via Cremona, 29/2 - Tel. +39 0376 229585 - e-mai: info@opto-engineering.com - http://www.opto-engineering.com																					