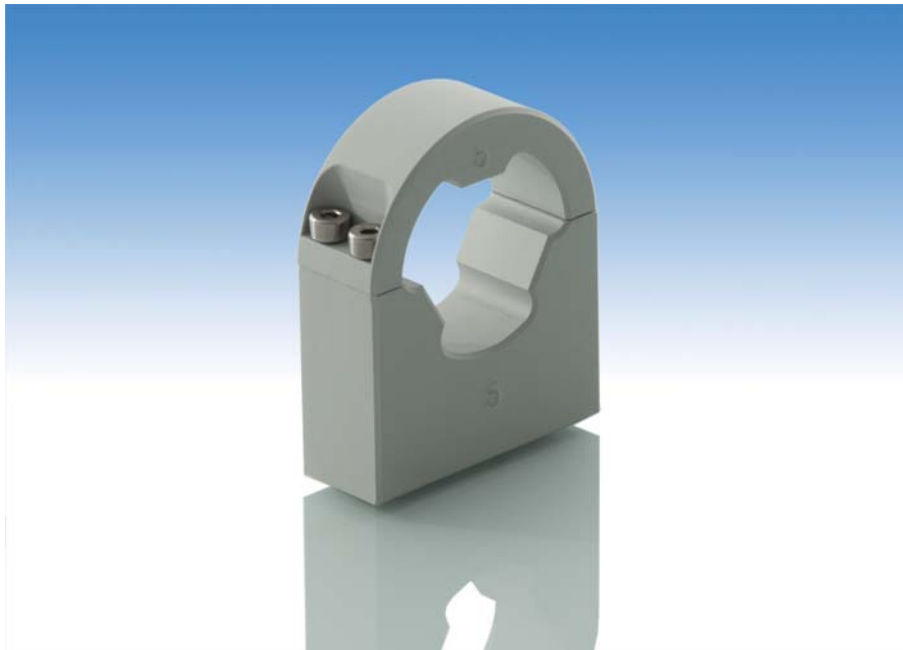


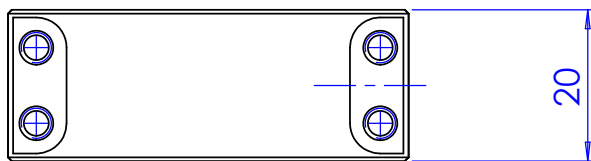
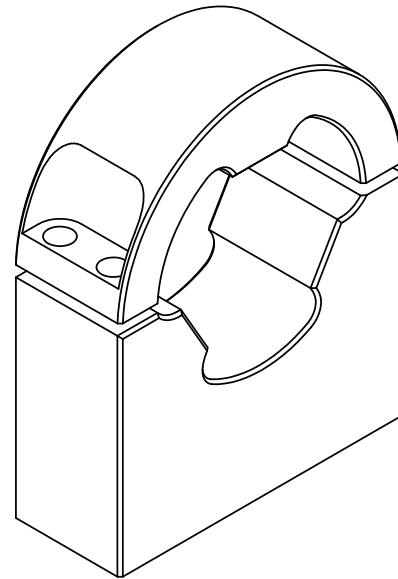
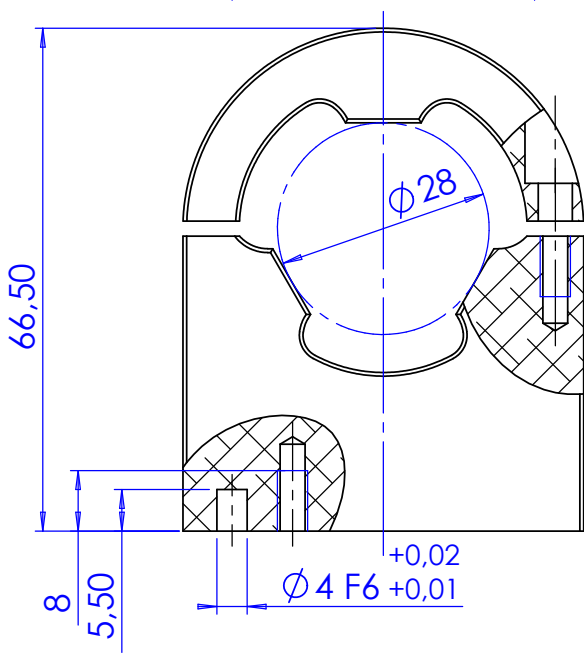
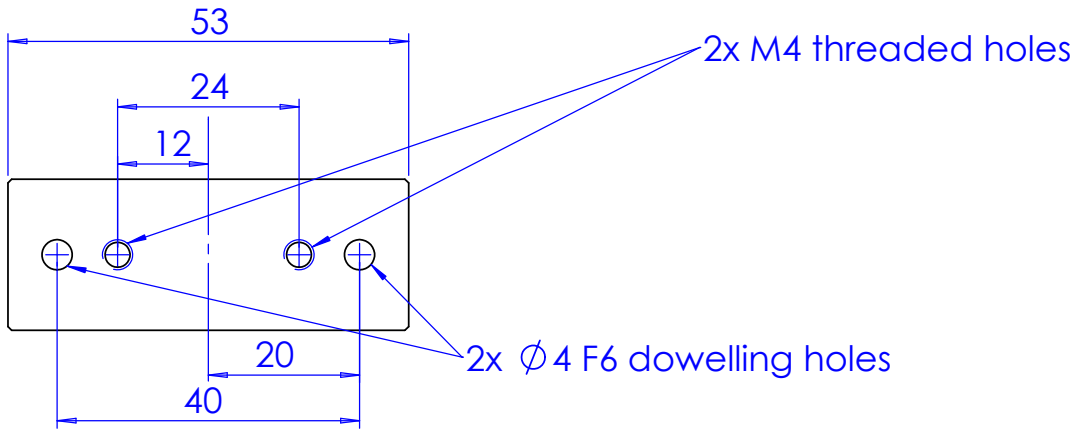
CMH023

Mechanical Holder for 230x-type telecentric optics



part number		CMH023
Compatible Optics		
Matrix Camera Telecentric		TC 2304, TC 2307, TC 2309, TC 2312
Large Detector Telecentric		TC 4M04, TC 4M07, TC 4M09
Very Large Detector Telecentric		
LT CL illuminators		LTC L23/x
Compatible Plates		C MPT04-09
Length	(mm)	20,0
Width	(mm)	53
Height	(mm)	66,5
Optical Axis Height	(mm)	40,0
Weight	(g)	114,0

1	2	3	4
Rev No.	Description		Date
A	New Part		14/09/09
			N. Santini



Material Aluminum - UNI EN 573 EN AW 6063			Mass 113.76 g	Scale 1:2																																							
Surface treatment Grey Anodizing			Project-Prod.item/Instrument CMHO23																																								
Geometrical tolerance (ISO 2768-2)			Description CMHO23	Sheet 1/1																																							
<table border="1"> <thead> <tr> <th colspan="2">Linear tolerance (ISO 2768-2)</th> <th>Class</th> <th>K</th> <th rowspan="2">Undimensioned bevels</th> <th rowspan="2">Undimensioned radii</th> </tr> <tr> <th></th> <th></th> <th>Class</th> <th>m</th> </tr> </thead> <tbody> <tr> <td>0.5</td> <td>>3÷</td> <td>>6÷</td> <td>>30÷</td> <td>>120</td> <td>>400÷</td> </tr> <tr> <td>±3</td> <td>6</td> <td>30</td> <td>120</td> <td>±400</td> <td>1000</td> </tr> <tr> <td></td> <td>±0.1</td> <td>±0.2</td> <td>±0.3</td> <td>±0.5</td> <td>±0.8</td> </tr> <tr> <td></td> <td></td> <td></td> <td></td> <td></td> <td>±1.2</td> </tr> <tr> <td></td> <td></td> <td></td> <td></td> <td></td> <td>±2</td> </tr> </tbody> </table>					Linear tolerance (ISO 2768-2)		Class	K	Undimensioned bevels	Undimensioned radii			Class	m	0.5	>3÷	>6÷	>30÷	>120	>400÷	±3	6	30	120	±400	1000		±0.1	±0.2	±0.3	±0.5	±0.8						±1.2					
Linear tolerance (ISO 2768-2)		Class	K	Undimensioned bevels	Undimensioned radii																																						
		Class	m																																								
0.5	>3÷	>6÷	>30÷	>120	>400÷																																						
±3	6	30	120	±400	1000																																						
	±0.1	±0.2	±0.3	±0.5	±0.8																																						
					±1.2																																						
					±2																																						
 www.opto-engineering.com		Date	Name	Drawing No.																																							
		Designed	14/09/09	N. Santini	18865-0-A																																						
		Draw	14/09/09	N. Santini																																							
		Checked	X	C. Sedazzari																																							
Reproduction forbidden without specific authorization OPTO ENGINEERING S.r.l. - 46100 Mantova Italy - Via Cremona, 29/2 - Tel. +39 0376 229585 - e-mai: info@opto-engineering.com - http://www.opto-engineering.com																																											