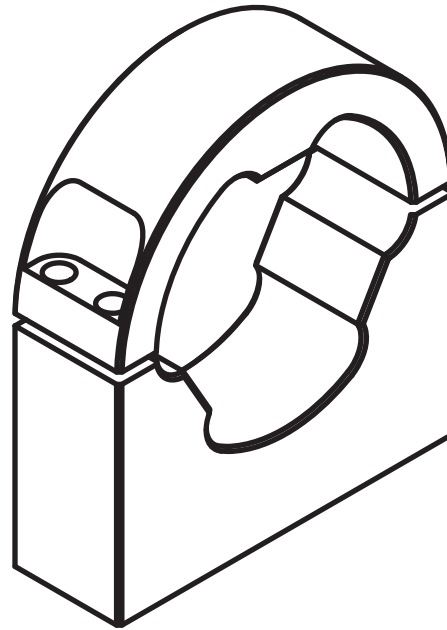


CMH016

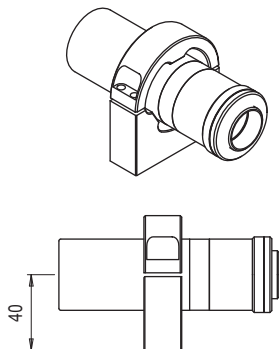
MECHANICAL HOLDER FOR 16-TYPE TELECENTRIC OPTICS



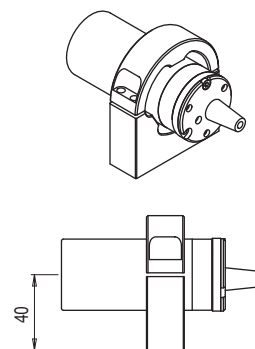
WWW.OPTO-ENGINEERING.COM



Part Number		CMH016
Compatible Optics		
Matrix Camera Telecentric		TC1216, TC2316
Large Detector Telecentric		TC4M16, TC2M16
UV Telecentric		
LT CL illuminators		LTCL16/x
Compatible Plates		CMPT16-24
Length	(mm)	20,0
Width	(mm)	63
Height	(mm)	71,2
Optical Axis Height	(mm)	40,0
Weigh	(g)	123,0



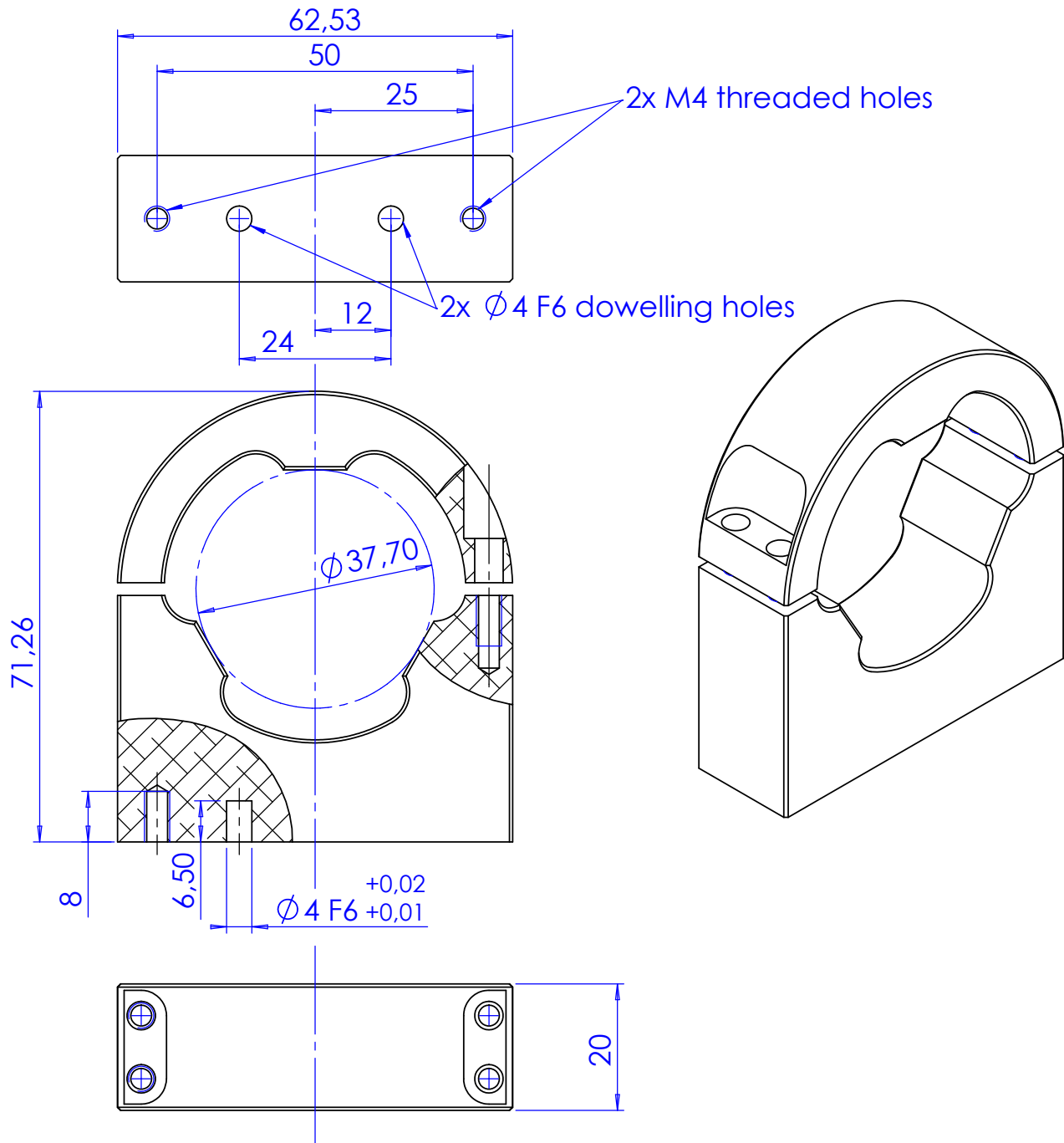
Matrix Detector Telecentric Lens
assembly example

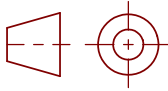



LTCL Collimated Illuminator
assembly example

MECHANICAL DRAWINGS: see next page >>

1	2	3	4
Rev No.	Description		Date
A	New Part		16/09/09
			N. Santini



Material Aluminum - UNI EN 573 EN AW 6063			Mass 123.4 g	Scale 1:1																								
Surface treatment Grey Anodizing			Project-Prod.item/Instrument CMHO16																									
Geometrical tolerance (ISO 2768-2)		Undimensioned bevels 0.5x45° Undimensioned radii R 0.5	Description CMHO16																									
Linear tolerance (ISO 2768-2)																												
<table border="1"> <tr> <td>0.5</td> <td>>3÷</td> <td>>6÷</td> <td>>30÷</td> <td>>120</td> <td>>400÷</td> <td>>1000</td> <td>>2000</td> </tr> <tr> <td>±3</td> <td>6</td> <td>30</td> <td>120</td> <td>±400</td> <td>1000</td> <td>±2000</td> <td>±4000</td> </tr> <tr> <td>±0.1</td> <td>±0.1</td> <td>±0.2</td> <td>±0.3</td> <td>±0.5</td> <td>±0.8</td> <td>±1.2</td> <td>±2</td> </tr> </table>	0.5				>3÷	>6÷	>30÷	>120	>400÷	>1000	>2000	±3	6	30	120	±400	1000	±2000	±4000	±0.1	±0.1	±0.2	±0.3	±0.5	±0.8	±1.2	±2	Class
0.5	>3÷	>6÷	>30÷	>120	>400÷	>1000	>2000																					
±3	6	30	120	±400	1000	±2000	±4000																					
±0.1	±0.1	±0.2	±0.3	±0.5	±0.8	±1.2	±2																					
		Class	m																									
 www.opto-engineering.com		Date	Name	Drawing No.	Sheet																							
		Designed	16/09/09	N. Santini	18875-0-A	1/1																						
		Draw	16/09/09	N. Santini																								
		Checked	X	C. Sedazzari																								
Reproduction forbidden without specific authorization OPTO ENGINEERING S.r.l. - 46100 Mantova Italy - Via Cremona, 29/2 - Tel. +39 0376 229585 - e-mai: info@opto-engineering.com - http://www.opto-engineering.com																												