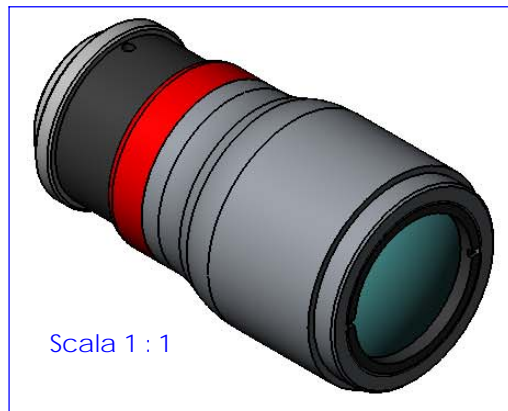
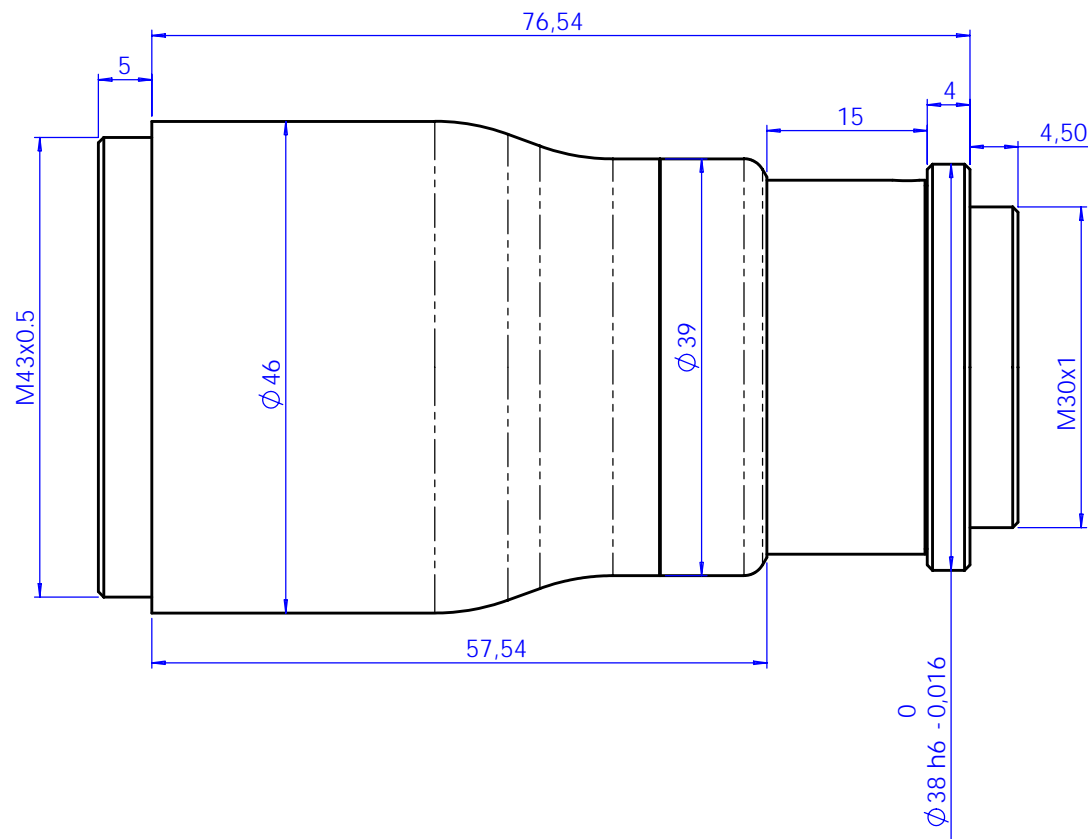
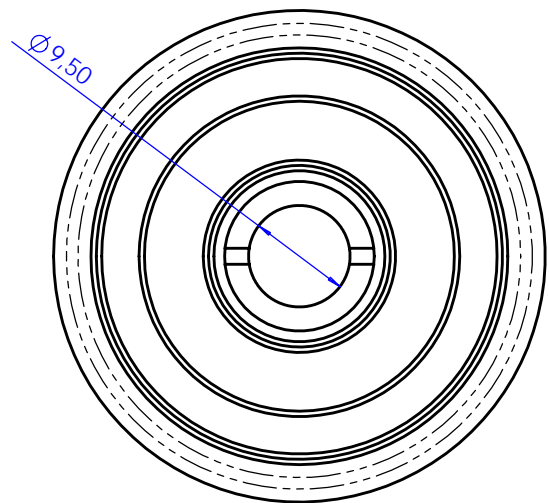


Rev No.	Description	Date	Name
A	First light	09/07/08	A.Vismara



Material	N.A.		Mass	270 g	Scale	2:1	
Surface treatment	N.A.		Project-Prod.Item/Instrument Beam Expander				
Geometrical tolerance (ISO 2768-2)		Class	K	Undimensioned bevels	1x45°	Description LAYOUT OF BEAM EXPANDER 3X, 1064 nm	
Linear tolerance (ISO 2768-2)		Class	m	Undimensioned radii	R 0.5		
0.5 +3 ±0.1	>3- 6 ±0.1	>6- 30 ±0.2	>30- 120 ±0.3	>120 +400 ±0.5	>400- 1000 ±0.8	>1000 +2000 ±1.2	>2000 +4000 ±2
Date		Name		Drawing No.		Sheet	
Designed		09/07/08	A.Vismara		DD00004-A	1/1	
Draw		09/07/08	A.Vismara				
Checked		X	C. Sedazzari				
							Reproduction forbidden without specific authorization
OMI - OPTOMECHANICAL INDUSTRIES S.r.l. - 46100 Mantova (MN) Italy - via Cremona 29/2 - Tel. +39 0376 263525 - e-mail: info@optomechanicalindustries.com							