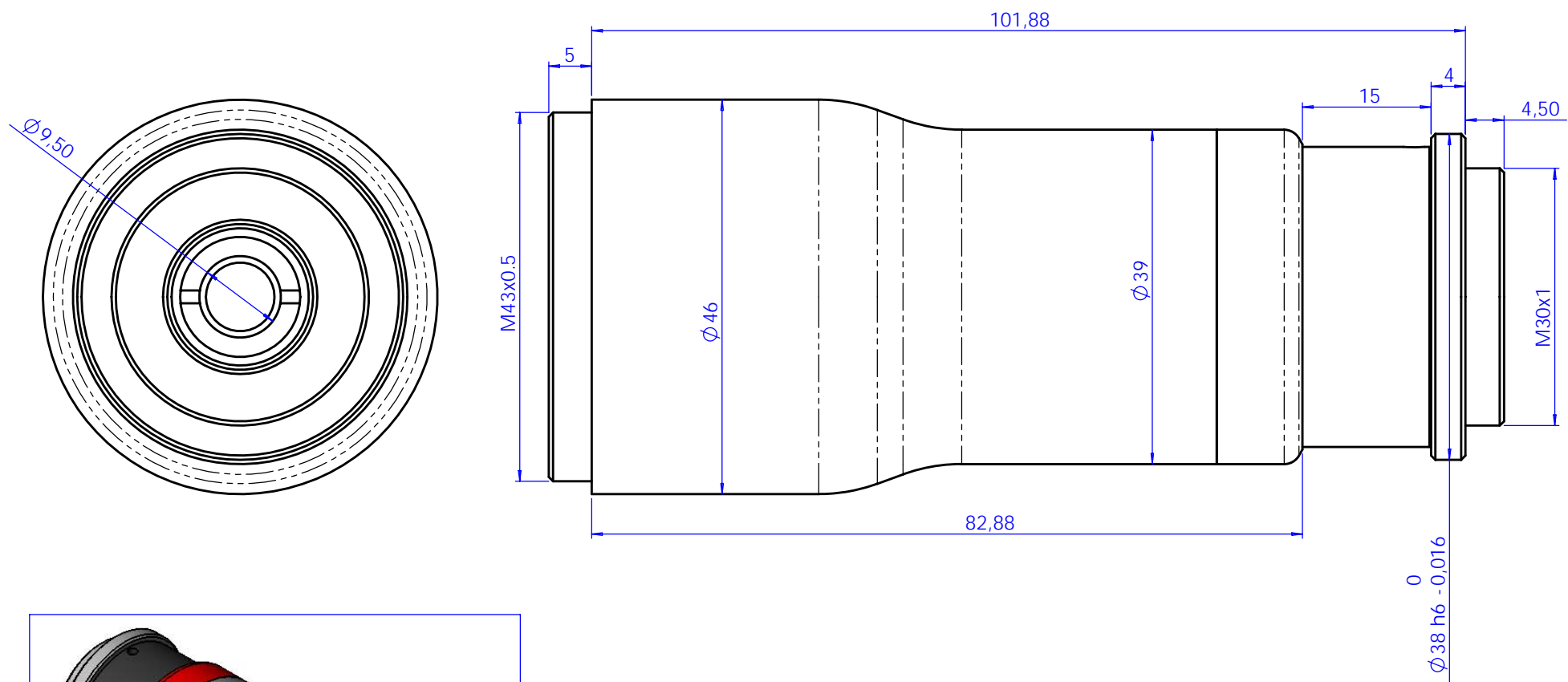


Rev No.	Description	Date	Name
A	First light	09/07/08	A.Vismara



Material	N.A.		Mass	302 g	Scale	2:1																																								
Surface treatment	N.A.		Project-Prod.Item/Instrument Beam Expander																																											
Geometrical tolerance (ISO 2768-2)			Description LAYOUT OF BEAM EXPANDER 8X, 532 nm																																											
<table border="1"> <thead> <tr> <th colspan="2">Linear tolerance (ISO 2768-2)</th> <th>Class</th> <th>K</th> <th>Undimensioned bevels</th> <th>1x45°</th> <th>Undimensioned radii</th> <th>R 0.5</th> </tr> <tr> <th></th> <th></th> <th>Class</th> <th>m</th> <th></th> <th></th> <th></th> <th></th> </tr> </thead> <tbody> <tr> <td>0.5</td> <td>>3-</td> <td>>6-</td> <td>>30-</td> <td>>120</td> <td>>400-</td> <td>>1000</td> <td>>2000</td> </tr> <tr> <td>+3</td> <td>6</td> <td>30</td> <td>120</td> <td>+400</td> <td>+1000</td> <td>+2000</td> <td>+4000</td> </tr> <tr> <td>±0.1</td> <td>±0.1</td> <td>±0.2</td> <td>±0.3</td> <td>±0.5</td> <td>±0.8</td> <td>±1.2</td> <td>±2</td> </tr> </tbody> </table>			Linear tolerance (ISO 2768-2)		Class	K	Undimensioned bevels	1x45°	Undimensioned radii	R 0.5			Class	m					0.5	>3-	>6-	>30-	>120	>400-	>1000	>2000	+3	6	30	120	+400	+1000	+2000	+4000	±0.1	±0.1	±0.2	±0.3	±0.5	±0.8	±1.2	±2	Drawing No. DD00007-A			
Linear tolerance (ISO 2768-2)		Class	K	Undimensioned bevels	1x45°	Undimensioned radii	R 0.5																																							
		Class	m																																											
0.5	>3-	>6-	>30-	>120	>400-	>1000	>2000																																							
+3	6	30	120	+400	+1000	+2000	+4000																																							
±0.1	±0.1	±0.2	±0.3	±0.5	±0.8	±1.2	±2																																							
			Date	Name		Sheet																																								
Designed			09/07/08	A.Vismara		1/1																																								
Draw			09/07/08	A.Vismara																																										
Checked			X	C. Sedazzari																																										
Reproduction forbidden without specific authorization																																														