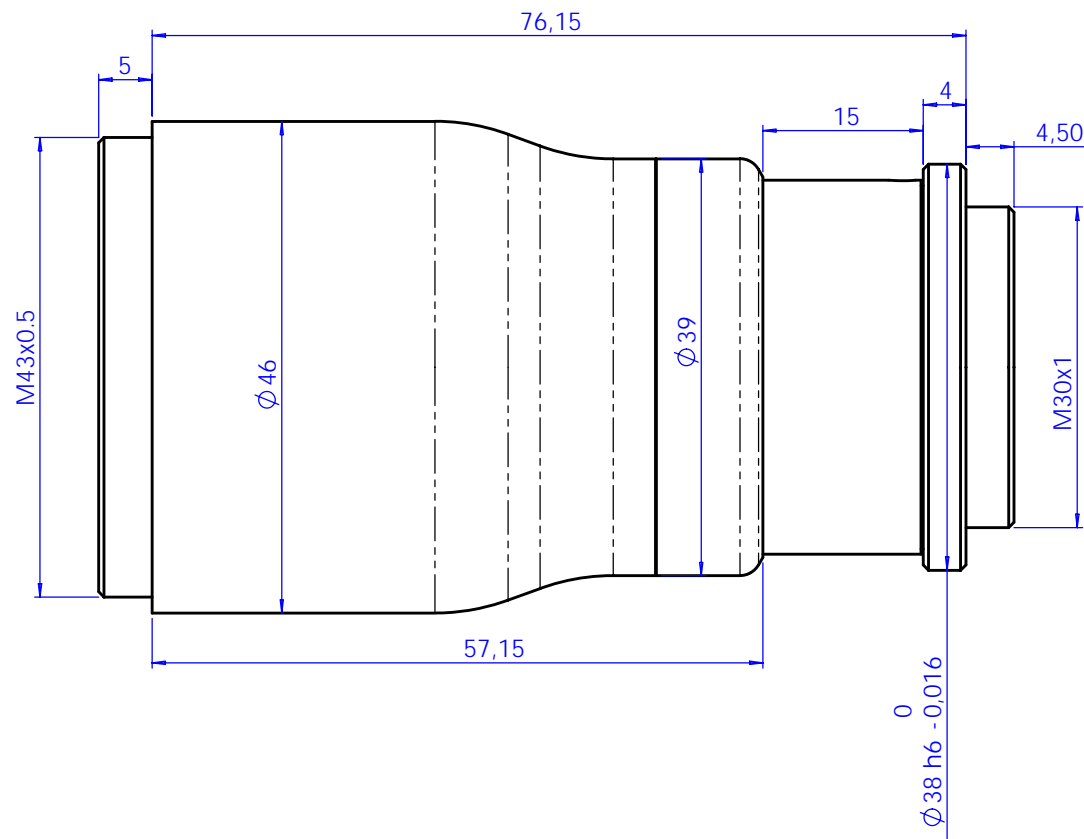
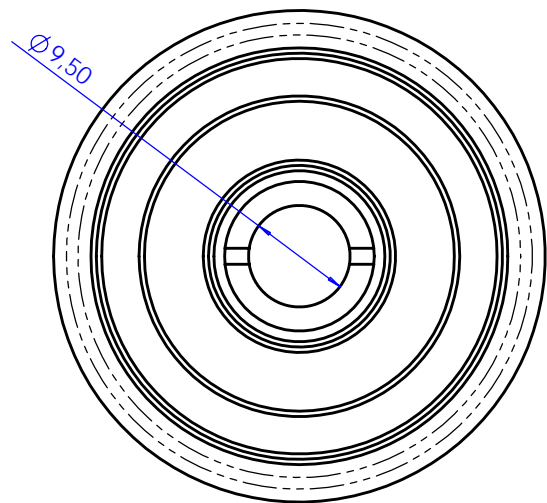


Rev No.	Description	Date	Name
A	First light	09/07/08	A.Vismara



Scala 1 : 1

Material	N.A.		Mass	269.5 g	Scale	2:1																																																	
Surface treatment	N.A.		Project-Prod.Item/Instrument Beam Expander																																																				
Geometrical tolerance (ISO 2768-2)			Description LAYOUT OF BEAM EXPANDER 3X, 532 nm																																																				
<table border="1"> <thead> <tr> <th colspan="7">Linear tolerance (ISO 2768-2)</th> <th>Class</th> <th>K</th> <th>Undimensioned bevels</th> <th>1x45°</th> </tr> <tr> <th>0.5</th> <th>&gt;3-</th> <th>&gt;6-</th> <th>&gt;30-</th> <th>&gt;120</th> <th>&gt;400-</th> <th>&gt;1000</th> <th>Class</th> <th>m</th> <th>Undimensioned radil</th> <th>R 0.5</th> </tr> </thead> <tbody> <tr> <td>±0.1</td> <td>±0.1</td> <td>±0.2</td> <td>±0.3</td> <td>±0.5</td> <td>±0.8</td> <td>±1.2</td> <td></td> <td></td> <td></td> <td></td> </tr> </tbody> </table>			Linear tolerance (ISO 2768-2)							Class	K	Undimensioned bevels	1x45°	0.5	>3-	>6-	>30-	>120	>400-	>1000	Class	m	Undimensioned radil	R 0.5	±0.1	±0.1	±0.2	±0.3	±0.5	±0.8	±1.2					<table border="1"> <thead> <tr> <th>Date</th> <th>Name</th> <th>Drawing No.</th> <th>Sheet</th> </tr> </thead> <tbody> <tr> <td>09/07/08</td> <td>A.Vismara</td> <td>DD00003-A</td> <td>1/1</td> </tr> <tr> <td>09/07/08</td> <td>A.Vismara</td> <td></td> <td></td> </tr> <tr> <td>X</td> <td>C. Sedazzari</td> <td></td> <td></td> </tr> </tbody> </table>				Date	Name	Drawing No.	Sheet	09/07/08	A.Vismara	DD00003-A	1/1	09/07/08	A.Vismara			X	C. Sedazzari		
Linear tolerance (ISO 2768-2)							Class	K	Undimensioned bevels	1x45°																																													
0.5	>3-	>6-	>30-	>120	>400-	>1000	Class	m	Undimensioned radil	R 0.5																																													
±0.1	±0.1	±0.2	±0.3	±0.5	±0.8	±1.2																																																	
Date	Name	Drawing No.	Sheet																																																				
09/07/08	A.Vismara	DD00003-A	1/1																																																				
09/07/08	A.Vismara																																																						
X	C. Sedazzari																																																						
			<i>Reproduction forbidden without specific authorization</i>																																																				
<small>OMI - OPTOMECHANICAL INDUSTRIES S.r.l. - 46100 Mantova (MN) Italy - via Cremona 29/2 - Tel. +39 0376 263525 - e-mail: info@optomechanicalindustries.com</small>																																																							